



PRO TARGET AIR



RESISTS
AIR RIFLE
DUAL RECOIL



FULLY
COATED



SHOCKPROOF
CONSTRUCTION



1" MAIN
TUBE



ADJUSTABLE
CAPPED
TURRETS



IPX7
WATERPROOF/
FOGPROOF



INCLUDES
1" DOVETAIL
RINGS



4x32mm

2-7x32mm



3-9x40mm



PROTARGET AIR RIFLESCOPE
OWNER'S GUIDE

Click on each topic in the Table of Contents to go directly to it.

TABLE OF CONTENTS

<u>SIMMONS LIFETIME LIMITED WARRANTY</u>	<u>2</u>
<u>PARTS GUIDE</u>	<u>3</u>
<u>KEY ELEMENTS OF A SCOPE</u>	<u>4</u>
<u>MOUNTING YOUR SCOPE</u>	<u>4</u>
<u>PRELIMINARY SCOPE ADJUSTMENTS</u>	<u>4</u>
<u>ATTACHING MOUNT, RINGS & SCOPE TO YOUR RIFLE</u>	<u>4</u>
<u>PARALLAX</u>	<u>5</u>
<u>PRELIMINARY SIGHTING-IN</u>	<u>5</u>
<u>BORE SIGHTING METHOD</u>	<u>5</u>
<u>FINAL SIGHTING-IN</u>	<u>5</u>
<u>CARING FOR YOUR RIFLESCOPE</u>	<u>6</u>
<u>ALTITUDE AND TEMPERATURE</u>	<u>6</u>
<u>DO YOU NEED TO SEND YOUR SCOPE TO US?</u>	<u>6</u>
<u>FRANÇAIS</u>	<u>7</u>
<u>ESPAÑOL</u>	<u>12</u>
<u>DEUTSCH</u>	<u>17</u>
<u>ITALIANO</u>	<u>22</u>

SIMMONS LIFETIME LIMITED WARRANTY

All Simmons products are engineered to deliver to your expectation and manufactured to withstand the rigors of the outdoors for the lifetime of the product. In the event that our product fails you, we will stand behind it and repair it at no cost to you. If we can't repair the product then we will replace it with a product of equal or better value. No receipt required and fully transferable.

*All Simmons® products carry a limited warranty against defects in workmanship or materials. Product lifetime is defined as 30 years for Riflescopes, 20 years for binoculars and spotters, 5 years for electro-optics and electronic components (laser rangefinders, tube red dots, and reflex sights). Coverage period start date is determined by proof of purchase or manufacturing date of the product. This warranty does not cover cosmetic damage; damage caused by failing to properly maintain the product; loss; theft; damage as a result of unauthorized repair, modification, or disassembly; intentional damage, misuses, or abuse. This Warranty will be void if the date stamp or other serialization codes have been removed from the Product. We may replace your product with a product of equal or better physical condition.

How can I request service under my warranty?

No receipt, warranty card, or product registration is required in order to assert a Warranty claim. All claims must be submitted within the Warranty Period outlined within Product Manual. USA & CANADA RETURNS: If you believe your request falls within the outlined warranty period, please call us at 1-800-423-3537 or send us a message through our Contact Form and we will help to resolve any issue.

You've made the right decision by choosing the Simmons ProTarget Air Riflescope!

Your new ProTarget Air Riflescope also features our fast focus eyepiece. In a normal eyepiece, eye relief typically shrinks as magnification is increased. Simmons' new design delivers constant eye relief. In fact, once the shooter finds the proper cheek weld, position can be maintained throughout the entire power range.

Simmons ProTarget Air Riflescopes are specially designed to withstand the dual recoil that happens with air rifles.

Newly designed windage and elevation dials on your scope employ a ball bearing and spring system that significantly reduces wear while maintaining dial reliability and accuracy over time. Their firm and precise clicks give you the confidence to know that any adjustments you make, at the range or in the field, are accurate and repeatable.

⚠ WARNING: A SCOPE SHOULD NEVER BE USED AS A SUBSTITUTE FOR EITHER A BINOCULAR OR SPOTTING SCOPE. IT MAY RESULT IN YOU INADVERTENTLY POINTING THE GUN AT ANOTHER PERSON.

⚠ WARNING: DO NOT LOOK AT THE SUN THROUGH THE OPTICS, AS PERMANENT EYE DAMAGE OR EVEN BLINDNESS MAY RESULT.

PARTS GUIDE

**Model Shown: ProTarget 4x32 Air Riflescope*

1. Ocular Lens
2. Objective Lens
3. Power Change Ring
4. Windage Adjustment
5. Elevation Adjustment



Accessories Included:

- A. Dovetail Aluminum Rings with Stop Pin
- B. Bikini Lens Covers
- C. Cleaning Cloth



KEY ELEMENTS OF A SCOPE

The major elements of a scope:

1. Objective Lens: This lens has three functions. First, it permits light to pass into the scope. Second, it determines resolution. Generally, larger lenses allow more light to enter the scope and resolve details better than smaller ones. Finally, it forms an image for the other lenses to magnify to a usable size. The image formed by this lens is upside down.
2. Erector System: The erector system serves three functions. Its primary function is to erect the image (that is, flips the image right-side up) and align it to the reticle. During this process, primary magnification of the image takes place. These two functions are the result of lens action. The erector lenses are housed in a tube that is fixed at one end, while the other end of the tube is free to move and respond to dial adjustments. By moving the erector system, the point-of-aim of the scope is adjusted to match the point-of-impact of the bullet.
3. Reticle: In simple terms, the aiming device around which the scope is built. This element replaces the iron sight system of non-scoped rifles.
4. Ocular or Eye Lens: This element provides the secondary and final magnification of the image.

MOUNTING YOUR SCOPE

Your new scope, even with its technologically advanced design and features, will not perform at its best if not properly mounted. One of the most important contributing factors to the accuracy of your scope and rifle is the selection of the mount and the care with which mounting is done. Dependable mounts that attach your scope solidly to the rifle will reward you with dependability and consistent accuracy. You should take as much care in selecting a mounting system as you did in selecting your scope. Simmons recommends using the included set of mounting rings for your scope.

Remember, not all scopes are compatible with all mounts on all rifles. If there is any doubt in your mind, you should seek the advice of your local retailer or gunsmith.

PRELIMINARY SCOPE ADJUSTMENTS

Before installing the scope, we recommend you set the focus of the eyepiece to fit your individual visual requirement. Refocusing the ocular distance will result in a sharper reticle focus, an improved optical image, and will help to avoid eye fatigue when using the scope over prolonged periods of time. To refocus, hold the scope about 3 to 4 inches from your eye and point at the open sky or other flatly lit area such as a monotone painted wall.

Quickly glance into the scope. If the reticle appears blurred when you first glance at it, it is out of focus. Turn the eyepiece clockwise or counter clockwise several turns. Glance into the scope again to check the sharpness of the reticle. Remember to take quick glances, as the eye will compensate for slightly out of focus conditions with prolonged looks. If the reticle still appears blurred, turn the eyepiece another two or three turns. Repeat this procedure until the reticle is sharp and clearly defined.

Unless your eyes undergo a significant change over the years, you will not have to make this adjustment again.

ATTACHING A MOUNT, RINGS AND SCOPE TO YOUR RIFLE



WARNING: BEFORE BEGINNING THE MOUNTING PROCEDURE, BE SURE THE ACTION IS OPEN, THE CLIP OR MAGAZINE IS REMOVED AND THE CHAMBER IS CLEAR. DO NOT ATTEMPT ANY WORK UNTIL YOUR FIREARM HAS BEEN CLEARED AND DETERMINED TO BE SAFE.



WARNING: IF THE SCOPE IS NOT MOUNTED FAR ENOUGH FORWARD, ITS REARWARD MOTION MAY INJURE THE SHOOTER WHEN THE RIFLE RECOILS.

In mounting your scope, we recommend that you DO NOT take short cuts as it may lead to damage to either the mounting system or to the scope. Each mounting system will have its own instructions to follow, and it is best to read the instructions first to be sure you understand them and have the necessary tools on hand.

We further recommend that you plan to go through the mounting procedure twice. The first time, to be sure everything fits together and functions properly. On the first run through, please keep the following in mind:

- Before attaching the base, clean the mounting holes in the receiver and the threads of the attaching screws with acetone or any good solvent to free them of oil or grease.
- If the mount manufacturer has recommended the use of a thread adhesive, do not use it on the first mounting trial. Once adhesive has set, it is difficult to demount if anything needs correction.
- Be sure the mounting screws do not protrude into the receiver or the barrel.
- When using dovetail mounts, do not use the scope as a lever when installing the scope. The initial resistance to turning may cause damage to the scope, and is not covered by the warranty. We recommend using a 1" wooden dowel or metal cylinder to seat the rings.
- Be sure the position of the scope does not interfere with the operation of the action.

- Be sure there is at least 1/8" of clearance between the edges of the rings and any protruding surfaces such as the turret housing (saddle), power selecting ring, and the flare of the objective bell. Also be sure there is at least 1/8" of clearance between the objective bell and the barrel.
- You should test position the scope for the proper eye relief. The scope rings should be left loose enough so that the scope will slide easily. Variable power scopes should be set at the highest magnification when performing this procedure. Mount the rifle and look through the scope in your normal shooting position.
- Test position the rifle for the proper cheek weld a number of times to ensure that your scope is positioned properly.
- When you are satisfied that everything is okay, demount and start again. This time, seat all screws firmly. **CAUTION: Do not overtighten.** Recommended torque settings for the included mounting rings are 25-30 lb*in (pound-force inch) for the cross-bolts/lugs and 13-15 lb*in for the ring cap screws.

PARALLAX

Parallax occurs when the target image is not focused on the same optical plane as the reticle. It appears as target movement against the reticle when the eye moves away from exit pupil center. The amount of movement depends upon the difference between the distance at which the objective lens is focused and the actual target distance.

In most cases, parallax will not effect bullet point of impact enough to be of significant concern in large game hunting situations. All three ProTarget Air Riflescopes feature an adjustable objective parallax focus ring and are factory-set to be parallax-free at 100 yards.

PRELIMINARY SIGHTING-IN

You can save a significant amount of expense and frustration by pre-sighting the scope to the rifle before you take it to the range for zeroing.

There are two basic methods that can be used for pre-sighting your scope. Method one is to use a Bushnell® Bore Sighter (laser, magnetic or standard). The use of a Bore Sighter saves time and ammunition and is the system most often used by gunsmiths. The second method is traditional bore sighting:

BORE SIGHTING METHOD

1. Place a target at 25 to 50 yards.
2. Remove the bolt from the rifle.
3. Place the rifle on sandbags or a shooting rest.
4. Set the scope to its lowest magnification.
5. Peer through the bore from the receiver and adjust the position of the rifle to center the target bull's eye in the bore (Fig. A).
6. Without moving the rifle, look into the scope and note the position of the reticle on the target. Adjust the windage and elevation adjustments to center the reticle on the bull's eye (Fig. B).

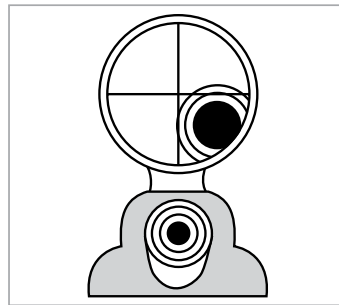


Fig. A
Reticle not in alignment

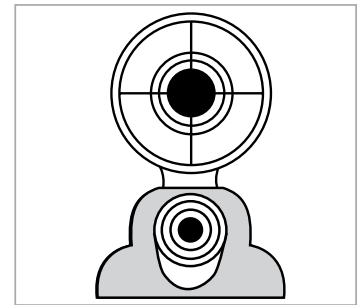


Fig. B
Reticle in alignment

FINAL SIGHTING-IN

WARNING: SINCE THIS PROCEDURE INVOLVES LIVE FIRE, IT SHOULD BE DONE AT AN APPROVED RANGE OR OTHER SAFE AREA. CHECK BORE FOR OBSTRUCTIONS. AN OBSTRUCTED BORE MAY CAUSE INJURY TO YOU AND OTHERS NEARBY. EYE AND EAR PROTECTION IS RECOMMENDED.

1. From a steady rest position, fire two or three rounds at a 100-yard target. Note the impact of the bullet on the target and adjust the windage and elevation dials as needed.
2. To move the bullet impact, turn the windage and/or elevation adjustments in the direction on the dials that corresponds to where the impact point falls on the target (for example, if test shots are hitting low, adjust elevation "down"). The adjustments on your riflescope model are marked in MOA (minutes of arc), and the point of impact at 100 yards will change by 1/4 MOA for each click of the windage or elevation adjustment. One full revolution of the adjustment=15 MOA.
3. When the impact on the 100-yard target is satisfactory, switch to a target set at the desired distance for final zeroing. Set the magnification to the desired power on variable power models.

CARING FOR YOUR RIFLESCOPE

Your scope needs very little maintenance. Exterior metal surfaces should be kept clean. A light dusting with a slightly dampened soft cloth is enough in most cases.

Your new scope features windage and elevation turrets that are completely sealed against water intrusion. However, we recommend that you keep the windage and elevation caps on the turrets, except when making adjustments, to prevent dust and dirt from collecting in the turret area.

We also recommend that lens covers be kept in place when the scope is not being used. Lenses should be inspected regularly and kept clean at all times. Dust, dirt, and fingerprints that collect on the lens surfaces will severely degrade image quality, and if left unclean for long periods, the anti-reflection coating could be damaged. Although lens cleaning is not difficult, it does require care and some patience.

- Start with a lens brush or a small, soft bristle paintbrush. Gently whisk away loose dirt particles.
- Next, use an ear syringe or bulb aspirator (available in most drug stores) to blow remaining dirt or dust from lens surfaces.
- If further cleaning is needed, use a dry, soft lint-free cloth. Very gently wipe the lens, starting at the center using a circular motion, then working outward to the edge.
- If this has not corrected the problem repeat the process using condensation from your breath.

ALTITUDE AND TEMPERATURE

Ballistic charts published by ammunition manufacturers are based upon standard sea level conditions. When sighting in, it is well to keep in mind that altitude and temperature affect trajectory. It is best to sight-in under the same conditions in which you will be hunting.

DO YOU NEED TO SEND YOUR SCOPE TO US?

Before returning your scope for service, you should check the following points to make sure the problem is with the scope:

- Check the mounting system and rings for looseness or misalignment.
- Check to be sure the barrel and action are properly bedded and all receiver screws are tight.
- Check to be sure the mounting system allows sufficient clearance between the objective bell and the barrel.
- Check to be sure you are using the same type and weight ammunition that you used for sighting-in.

TECHNICAL SPECIFICATIONS

SKU	MAG X OBJ. DIAM.	RETICLE	ELEVATION TRAVEL	WINDAGE TRAVEL	TURRET ADJUSTMENT	EYE RELIEF (MM)	FIELD OF VIEW FT @ 100 YDS	LENGTH (IN/MM)	WEIGHT (OZ/G)
SPTA432	4x32	Simmons Truplex	60 MOA	60 MOA	1/4 MOA	85	26	12.5/353.5	9.2/233.7
SPTA2732	2-7x32	Simmons Truplex	60 MOA	60 MOA	1/4 MOA	80-1-5	14-46	11.3/287	14.8/419
SPTA3940	3-9x40	Simmons Truplex	60 MOA	60 MOA	1/4 MOA	78-91	13-38	12.9/330	17.7/501

Vous avez pris la bonne décision en choisissant la lunette de visée Simmons ProTarget Air!

Votre nouvelle lunette de visée ProTarget Air est également dotée de notre oculaire à mise au point rapide. Dans un oculaire normal, le dégagement oculaire diminue généralement à mesure que le grossissement augmente. Le nouveau design conçu par Simmons offre un dégagement oculaire constant. En effet, une fois que le tireur a trouvé le bon calage crose/joue, la position peut être maintenue sur toute la plage de puissance.

Les lunettes de visée à air comprimé ProTarget de Simmons sont spécialement conçues pour résister au double recul qui se produit avec les fusils à air comprimé.

Les nouveaux cadrans de dérive et d'élévation de votre lunette de visée se basent sur un système de roulement à billes et de ressort qui réduit considérablement l'usure tout en maintenant la fiabilité et la précision des cadrans au fil du temps. Leurs déclics fermes et précis vous garantissent l'exactitude et la répétabilité de tous les réglages définis sur le stand de tir ou à la chasse.

⚠ AVERTISSEMENT : NE PAS UTILISER UNE LUNETTE DE VISÉE EN REMPLACEMENT DE JUMELLES OU D'UN TÉLESCOPE D'OBSERVATION. L'ARME POURRAIT ACCIDENTELLEMENT ÊTRE POINTÉE VERS UNE AUTRE PERSONNE.

⚠ AVERTISSEMENT : NE JAMAIS REGARDER LE SOLEIL À TRAVERS UN INSTRUMENT OPTIQUE. CELA POURRAIT ENTRAÎNER DES LÉSIONS OCULAIRES IRRÉVERSIBLES.

GUIDE DES PIÈCES

**Modèle présenté : Lunette de visée ProTarget Air 4x32*

1. Lentille oculaire
2. Objectif
3. Bague de changement de portée
4. Réglage de la dérive
5. Réglage de l'élévation



Accessoires inclus :

- A. Anneaux en aluminium à queue d'aronde avec goupille d'arrêt
- B. Capuchons en caoutchouc pour optiques
- C. Chiffon de nettoyage



ÉLÉMENTS CLÉS D'UNE LUNETTE

Les principaux éléments d'un viseur :

1. Objectif : Cette lentille remplit trois fonctions. Premièrement, elle permet à la lumière de passer dans la lunette. Deuxièmement, elle détermine la résolution. Généralement, les lentilles plus grandes laissent pénétrer plus de lumière dans la lunette et permettent de mieux résoudre les détails que les lentilles plus petites. Enfin, elle forme une image que les autres lentilles grossissent à une taille utilisable. L'image formée par cette lentille est à l'envers.
2. Système érecteur : Le système érecteur remplit trois fonctions. Sa fonction principale consiste à ériger l'image (c'est-à-dire, à la retourner pour la mettre à l'endroit) et à l'aligner sur le réticule. Pendant ce processus s'effectue le grossissement principal de l'image. Ces deux fonctions sont le résultat de l'action de la lentille. La troisième fonction est une fonction mécanique. Les lentilles érectrices sont logées dans un tube qui est fixé à une extrémité, tandis que l'autre extrémité du tube est libre de se déplacer et de répondre aux réglages du cadran. Lorsque le système érecteur est déplacé, le point de visée de la lunette est ajusté en fonction du point d'impact de la balle.
3. Réticule : En termes simples, il s'agit du dispositif de visée autour duquel la lunette est construite. Cet élément remplace le système de mire en métal des fusils dépourvus de lunette.
4. Oculaire ou lentille oculaire : Cet élément assure le deuxième et dernier grossissement de l'image.

MONTAGE DE VOTRE LUNETTE

Votre nouvelle lunette, malgré sa conception et ses caractéristiques technologiquement avancées, ne fonctionnera pas de manière optimale si elle n'est pas correctement montée. L'un des principaux facteurs contribuant à la précision de votre lunette et de votre fusil réside dans la sélection de la monture et le soin avec lequel le montage est effectué. Les montures sûres qui fixent solidement votre lunette au fusil vous procureront une fiabilité et une précision constante. Accordez autant de soin à sélectionner un système de montage que vous l'avez fait pour sélectionner votre lunette. Simmons vous recommande d'utiliser le jeu de bagues de montage inclus pour votre lunette.

N'oubliez pas que les lunettes de visée ne sont pas toutes compatibles avec toutes les montures de tous les fusils. Si vous avez le moindre doute, demandez conseil à votre détaillant ou armurier local.

RÉGLAGES PRÉLIMINAIRES DE LA LUNETTE

Avant d'installer la lunette, nous vous recommandons de régler la mise au point de l'oculaire en fonction de vos propres besoins visuels. Une nouvelle mise au point de la distance oculaire se traduira par une mise au point du réticule plus nette et une image optique améliorée et éliminera la fatigue oculaire lorsque la lunette est utilisée durant des périodes prolongées. Pour effectuer une nouvelle mise au point, maintenez la lunette à environ 3 à 4 pouces de votre œil et pointez vers le ciel ouvert ou sur une autre zone présentant un éclairage plat telle qu'un mur peint monotone.

Jetez rapidement un coup d'œil dans la lunette. Si le réticule apparaît flou au premier coup d'œil, il n'est pas mis au point. Tournez plusieurs fois l'oculaire dans le sens des aiguilles d'une montre ou dans le sens inverse. Jetez de nouveau un coup d'œil dans la lunette pour vérifier la netteté du réticule. N'oubliez pas de jeter des coups d'œil rapides, car l'œil compensera les conditions légèrement floues par des regards prolongés. Si le réticule est encore flou, tournez l'oculaire encore deux ou trois fois. Répétez cette procédure jusqu'à ce que le réticule soit net et clairement défini.

À moins que vos yeux ne subissent un changement important au cours des années, vous n'aurez plus à effectuer ce réglage.

RATTACHER UNE MONTURE, DES BAGUES ET UNE LUNETTE À VOTRE FUSIL

ATTENTION : AVANT DE COMMENCER LA PROCÉDURE DE MONTAGE, ASSUREZ-VOUS QUE L'ACTION EST OUVERTE, LE CLIP OU LE MAGAZINE RETIRÉ ET LA CHAMBRE VIDE. N'EFFECTUEZ AUCUNE OPÉRATION AVANT DE VOUS ASSURER QUE L'ARME EST VIDE ET SÛRE.



AVERTISSEMENT : SI LA LUNETTE N'EST PAS MONTÉE SUFFISAMMENT EN AVANT, SON MOUVEMENT VERS L'ARRIÈRE PEUT BLESSER LE TIREUR AU MOMENT DU REcul DE L'ARME.



Lors du montage de votre lunette, nous vous recommandons de ne PAS suivre de raccourcis car cela pourrait endommager le système de montage ou la lunette. Chaque système de montage comporte ses propres instructions à suivre, et il est préférable de lire les instructions d'abord pour être sûr de les comprendre et de disposer des outils nécessaires à portée de main.

Nous vous recommandons en outre d'effectuer deux fois la procédure de montage. La première fois, pour être sûr que toutes les pièces sont bien installées et fonctionnent correctement. Au premier passage cependant, gardez à l'esprit les points suivants :

- Avant de fixer la base, nettoyez les trous de montage dans le récepteur et les filets des vis de fixation avec de l'acétone ou tout autre solvant efficace pour en retirer l'huile ou la graisse.
- Si le fabricant de la monture recommande l'utilisation d'une colle à filetage, ne l'utilisez pas lors du premier essai de montage. Une fois que la colle fait son effet, il sera difficile de démonter la monture si une pièce doit être corrigée.
- Assurez-vous que les vis de montage ne pénètrent pas dans le récepteur ou le canon.
- Lorsque vous utilisez des montures en queue d'aronde, n'utilisez pas la lunette comme levier pour l'installer. La résistance initiale à la

rotation peut endommager la lunette et n'est pas couverte par la garantie. Nous vous recommandons d'utiliser une cheville en bois de 1" ou un cylindre métallique pour installer les bagues.

- Assurez-vous que la position de la lunette n'interfère pas avec le fonctionnement de l'action.
- Assurez-vous qu'il y a au moins 1/8" de jeu entre les bords des bagues et les surfaces en saillie telles que le logement de la tourelle (selle), la bague de sélection de portée et l'évasement du logement de l'objectif. Assurez-vous également qu'il y a au moins 1/8" de jeu entre le logement de l'objectif et le canon.
- Testez la position de la lunette pour obtenir un dégagement oculaire adéquat. Les bagues de la lunette doivent être suffisamment lâches pour que la lunette puisse glisser facilement. Les lunettes à portée variable doivent être réglées sur le grossissement maximal lors de l'exécution de cette procédure. Montez le fusil, puis regardez à travers la lunette en position de tir normale.
- Testez plusieurs fois la position du fusil pour déterminer le point de soudure approprié afin de vous assurer que votre lunette est correctement positionnée.
- Lorsque tout est satisfaisant, procédez au démontage et recommencez. Cette fois, serrer fermement toutes les vis. **ATTENTION : Ne pas trop serrer.** Les couples de serrage recommandés pour les bagues de montage incluses sont de 25 à 30 livres-force pouce pour les boulons/raccords transversaux et de 13 à 15 livres-force pouce pour les vis d'assemblage de la bague.

PARALLAXE

La parallaxe se produit lorsque l'image cible n'est pas mise au point sur le même plan optique que le réticule. Elle apparaît comme un mouvement de cible contre le réticule lorsque l'œil s'éloigne du centre de la pupille de sortie. La quantité de mouvement dépend de la différence entre la distance à laquelle l'objectif est mis au point et la distance réelle de la cible.

Dans la plupart des cas, la parallaxe n'aura pas suffisamment d'effet sur le point d'impact de la balle pour être une source de préoccupation significative dans les situations de chasse au gros gibier. Les trois lunettes de visée à air ProTarget sont dotées d'une bague de mise au point de parallaxe d'objectif réglable et sont réglées en usine pour être sans parallaxe à 100 mètres.

AJUSTEMENT PRÉLIMINAIRE

Vous pouvez vous épargner de nombreuses dépenses et frustrations en pré réglant la lunette sur le fusil avant d'amener ce dernier au champ de tir en vue de la mise à zéro.

Deux méthodes de base vous permettent de pré régler votre lunette. La première méthode consiste à utiliser un collimateur de réglage Bushnell® (laser, magnétique ou standard). Utiliser un collimateur de réglage permet d'économiser du temps et des munitions et est le procédé le plus utilisé par les armuriers. La deuxième méthode est le simbleautage traditionnel

MÉTHODE DE SIMBLEAUTAGE

1. Placez une cible à une distance comprise entre 25 et 50 yards.
2. Retirez le boulon du fusil.
3. Placez le fusil sur des sacs de sable ou un repose fusil.
4. Définissez la lunette sur son plus faible grossissement.
5. Regardez à travers l'alésage depuis le récepteur et ajustez la position du fusil pour centrer la cible dans l'alésage (Fig. A).
6. Sans bouger le fusil, regardez dans la lunette et notez la position du réticule sur la cible. Ajustez les réglages de dérive et d'élévation pour centrer le réticule sur la cible (Fig. B).

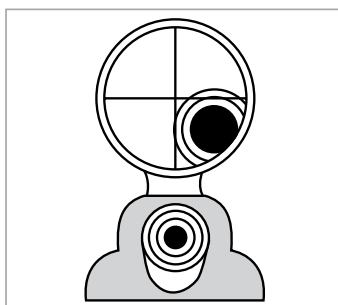


Fig. A
Réticule pas aligné

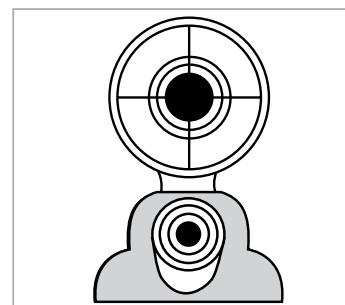


Fig. B
Réticule aligné

AJUSTEMENT FINAL



AVERTISSEMENT : DANS LA MESURE OÙ CETTE PROCÉDURE IMPLIQUE LE TIR, ELLE DOIT ÊTRE EFFECTUÉE À UNE DISTANCE AUTORISÉE OU DANS TOUT AUTRE ESPACE SÉCURISÉ. VÉRIFIEZ QUE L'ALÉSAGE N'EST PAS OBSTRUÉ. UN ALÉSAGE OBSTRUÉ PEUT VOUS BLESSER OU D'AUTRES PERSONNES À PROXIMITÉ. UNE PROTECTION DES YEUX ET DES OREILLES EST RECOMMANDÉE.

1. À partir d'une position de repos stable, tirez deux ou trois balles sur une cible située à 100 yards. Notez l'impact de la balle sur la cible et ajustez les cadrans de dérive et d'élévation selon les besoins.
2. Pour déplacer l'impact de balle, faire tourner les réglages de la dérive et/ou de l'élévation en direction des cadrans correspondant à l'endroit où le point d'impact tombe sur la cible (par exemple, si les tirs d'essai sont bas, réglez l'élévation sur « bas »). Les réglages sur votre modèle de lunette sont marqués en MOA (minutes d'arc) et le point d'impact à 100 yards (91 mètres) changera par intervalles de 1/4 MOA pour chaque déclic d'ajustement de la dérive ou de l'élévation. Une révolution complète du réglage = 15 MOA.
3. Lorsque l'impact sur la cible à 100 yards est satisfaisant, passez à une cible définie à la distance désirée en vue de la mise à zéro finale. Réglez le grossissement sur la distance désirée sur les modèles à portée variable.

PRENDRE SOIN DE VOTRE LUNETTE DE VISÉE

Votre lunette nécessite très peu d'entretien. Les surfaces métalliques extérieures doivent rester propres. Un léger dépoussiérage avec un chiffon doux légèrement humidifié suffit dans la plupart des cas.

Votre nouvelle lunette comprend des tourelles de dérive et d'élévation complètement étanches à l'eau. Cependant, nous vous recommandons de conserver les capuchons de dérive et d'élévation sur les tourelles, sauf lors des réglages, afin d'empêcher la poussière et la saleté de s'accumuler au niveau de la tourelle.

Nous vous recommandons également de conserver les couvre-lentille en place lorsque vous n'utilisez pas la lunette. Les lentilles doivent être inspectées régulièrement et maintenues propres en permanence. La poussière, la saleté et les empreintes digitales qui s'accumulent sur les surfaces de l'objectif dégradent gravement la qualité de l'image et, si ces surfaces demeurent sales pendant de longues périodes, le revêtement antireflet peut être endommagé. Bien que le nettoyage des lentilles ne soit pas difficile, il doit s'effectuer avec soin et patience.

- Commencez avec une brosse à lentille ou un petit pinceau à poils doux. Enlevez doucement les particules de saleté détachées.
- Ensuite, utilisez une seringue ou un aspirateur de mucosités (disponible dans la plupart des pharmacies) pour enlever la saleté ou la poussière restante sur les surfaces des lentilles.
- Si un nettoyage supplémentaire est nécessaire, utilisez un chiffon sec, doux et non pelucheux. Essuyez très délicatement la lentille, en commençant au centre dans un mouvement circulaire, puis en avançant vers l'extérieur jusqu'au bord.
- Si cela n'a pas corrigé le problème, répétez le processus en utilisant la condensation de votre respiration.

ALTITUDE ET TEMPÉRATURE

Les diagrammes balistiques publiés par des fabricants de munitions sont basés sur les conditions standard au niveau de la mer. Lors du pointage, il convient de garder à l'esprit que l'altitude et la température affectent la trajectoire. Il est préférable d'effectuer le pointage dans des conditions identiques à celles de la chasse.

QUAND FAUT-IL NOUS RENVOYER LA LUNETTE DE VISÉE?

Avant de renvoyer une lunette de visée pour réparation, il convient de vérifier les points suivants pour s'assurer que le problème vient bien de la lunette :

- Examiner le système et bagues de fixation pour y déceler un éventuel relâchement ou défaut d'alignement.
- S'assurer que le canon et le mécanisme sont correctement placés et que toutes les vis sont bien serrées.
- S'assurer que le système de fixation permet un dégagement suffisant entre le logement de l'objectif et le canon.
- Vérifier que sont utilisées des munitions de même type et poids que lors du pointage.

SPÉCIFICATIONS TECHNIQUES

UGS	MAG X DIAM. OBJ.	RÉTICULE	DÉPLACEMENT D'ÉLEVATION	DÉPLACEMENT PAR RÉVOLUTION	RÉGLAGE DE LA TOURELLE	DÉGAGEMENT OCULAIRE	CHAMP DE VISION FT @ 100 YD	LONGUEUR (IN/MM)	POIDS (OZ/G)
SPTA432	4x32	Simmons Truplex	60 MOA	60 MOA	1/4 MOA	85	26	12.5/353.5	9.2/233.7
SPTA2732	2-7x32	Simmons Truplex	60 MOA	60 MOA	1/4 MOA	80-1-5	14-46	11.3/287	14.8/419
SPTA3940	3-9x40	Simmons Truplex	60 MOA	60 MOA	1/4 MOA	78-91	13-38	12.9/330	17.7/501

GARANTIE LIMITÉE À VIE SIMMONS

Tous les produits Simmons sont conçus pour répondre à vos attentes et sont fabriqués pour résister aux rigueurs de l'environnement extérieur pendant toute la durée de vie du produit. Si notre produit se révélait non conforme, nous nous engageons à le réparer pour vous sans aucun frais supplémentaire. Si le produit n'est pas réparable, il sera remplacé par un produit de valeur égale ou supérieure. Aucun reçu n'est exigé et la garantie est entièrement cessible.

*Tous les produits Simmons® sont couverts par une garantie limitée contre tout défaut de pièces ou main d'œuvre. La durée de vie du produit est définie à 30 ans pour les télescopes, 20 ans pour les jumelles et 5 ans pour les composants électro-optiques et électroniques (télémètres laser, viseurs à point rouge et réflecteurs). La date de début de la période de couverture est déterminée par la preuve d'achat ou la date de fabrication du produit. Cette garantie ne couvre pas les dommages esthétiques, les dommages provoqués par un mauvais entretien du produit, la perte, le vol, les dommages résultant de réparations, altérations ou démontages non autorisés, les dommages, mauvaises utilisations ou négligences intentionnels. Cette garantie sera considérée comme nulle faute de date ou d'un autre code de sérialisation apposé sur le produit. Votre produit pourra être remplacé par un produit dont la condition matérielle est équivalente ou supérieure.

Comment puis-je introduire une demande d'intervention dans le cadre de ma garantie ?

Aucun reçu, carte de garantie ou enregistrement de produit n'est exigé pour faire valoir le droit à la garantie. Toutes les demandes doivent être introduites au cours de la période de garantie figurant dans le manuel du produit. **RETOURS AUX ÉTATS-UNIS ET AU CANADA** : Si vous pensez que votre demande relève de la période de garantie indiquée, veuillez nous contacter au 1-800-423-3537 ou nous envoyer un message via notre formulaire de contact, et nous vous aiderons à résoudre tout problème.

¡Tomó la decisión correcta al elegir el visor Simmons ProTarget Air!

Su nueva mira ProTarget Air para rifle también incluye nuestro ocular de enfoque rápido. En un ocular normal, el alivio ocular normalmente se reduce al incrementar la amplificación. El nuevo diseño de Simmons ofrece un alivio ocular constante. De hecho, una vez que el tirador encuentra el apoyo de la mejilla adecuado, puede mantener la posición a lo largo de todo el rango de potencia.

Las miras ProTarget de Simmons para rifles de aire están diseñadas especialmente para resistir el doble culatazo que ocurre en los rifles de aire.

Las perillas de resistencia al viento y elevación de diseño reciente en su mira emplean un cojinete de bolas y un sistema de resorte que reduce significativamente el desgaste, a la vez que mantienen la confiabilidad y precisión de la perilla con el tiempo. Sus clics firmes y precisos le dan la confianza de saber que, cualquier ajuste que realice, en el campo de tiro o en el campo, son precisos y repetibles.

⚠ PRECAUCIÓN: UN VISOR NO DEBERÍA USARSE NUNCA COMO SUSTITUTO DE UNOS PRISMÁTICOS O UN CATALEJO. PODRÍA RESULTAR EN APUNTAR EL ARMA INADVERTIDAMENTE A OTRA PERSONA.

⚠ PRECAUCIÓN: NUNCA MIRE AL SOL A TRAVÉS DE NINGÚN INSTRUMENTO ÓPTICO. PODRÍA DAÑAR PERMANENTEMENTE SU VISIÓN.

GUÍA DE PARTES

**Modelo mostrado: mira telescópica ProTarget Air 4x32*

- 1. Lentes oculares
- 2. Lente del objetivo
- 3. Anillo de cambio de potencia
- 4. Ajuste para resistencia al viento
- 5. Ajuste de elevación



Accesorios incluidos:

- A. Anillos de aluminio de cola de milano con pasador de tope
- B. Cubierta para lentes de hule estilo bikini
- C. Tela para limpiar



ELEMENTOS CLAVES DE UN VISOR

Los elementos principales en un visor:

1. **Objetivo:** Esta lente tiene tres funciones. Primero, permite que la luz pase al visor. En segundo lugar, determina la resolución. En general, las lentes más grandes permiten que entre más luz en el visor y resuelvan los detalles mejor que las más pequeñas. Finalmente, forma una imagen para que las otras lentes se amplíen a un tamaño utilizable. La imagen formada por esta lente está cara abajo.
2. **Sistema de montaje:** El sistema de montaje cumple tres funciones. Su función principal es erigir la imagen (es decir, voltea la imagen hacia arriba) y alinearla con la retícula. Durante este proceso, se produce un aumento principal de la imagen. Estas dos funciones son el resultado de la acción de la lente. La tercera función es mecánica. Las lentes de montaje están alojadas en un tubo que se fija en un extremo, mientras que el otro extremo del tubo se puede mover libremente y responder a los ajustes del dial. Al mover el sistema de montaje, el punto de mira del visor se ajusta para que coincida con el punto de impacto de la bala.
3. **Retículo:** En términos simples, el dispositivo de puntería alrededor del cual se construye el visor. Este elemento reemplaza el sistema de mira de hierro de los rifles sin visor.
4. **Ocular o lente ocular:** Este elemento proporciona el aumento secundario y final de la imagen.

MONTAJE DE SU VISOR

Su nuevo visor, incluso con su diseño y características tecnológicamente avanzados, no tendrá un rendimiento óptimo si no está correctamente montado. Uno de los factores más importantes que contribuyen a la precisión de su visor y de su rifle es la selección de la montura y el cuidado con el que se realiza el montaje. Las monturas de confianza que sujetan sólidamente su visor al rifle le recompensarán con confiabilidad y precisión consistentes. Debe tener mucho cuidado al seleccionar un sistema de montaje igual que cuando seleccionó su visor. Simmons recomienda usar el set incluido de anillos de montaje para su visor.

Recuerde que no todos los visores son compatibles con todas las monturas en todos los rifles. Si tiene alguna duda, debe buscar el consejo de su vendedor minorista o armero local.

AJUSTES PRELIMINARES DEL VISOR

Antes de instalar el visor, le recomendamos ajustar el foco del ocular para que se ajuste a sus necesidades visuales individuales. Reorientar la distancia ocular dará como resultado un enfoque de retícula más nítido, una imagen óptica mejorada y ayudará a evitar la fatiga ocular al usar el visor durante períodos prolongados de tiempo. Para volver a enfocar, mantenga el visor a una distancia de 3 a 4 pulgadas de su ojo y apunte hacia el cielo abierto u otra área iluminada, como una pared pintada de manera uniforme.

Eche un vistazo rápidamente al visor. Si la retícula aparece borrosa cuando la mira por primera vez, está desenfocada. Gire el ocular en el sentido de las agujas del reloj o en el sentido contrario de las agujas del reloj varias veces. Eche un vistazo al visor nuevamente para verificar la nitidez de la retícula. Recuerde mirar rápidamente, ya que el ojo compensará las condiciones ligeramente fuera de foco si se mira durante un período de tiempo prolongado. Si la retícula aún parece borrosa, gire el ocular otras dos o tres vueltas. Repita este procedimiento hasta que la retícula sea nítida y definida.

A menos que sus ojos experimenten un cambio significativo a lo largo de los años, no tendrá que hacer este ajuste nuevamente.

CONECTAR UN MONTAJE, ANILLOS Y EL VISOR A SU RIFLE

 **PRECAUCIÓN: ANTES DE COMENZAR EL PROCEDIMIENTO DE MONTAJE, ASEGÚRESE DE QUE LA ACCIÓN ESTÁ ABIERTA, EL CLIP O EL CARGADOR SE RETIRA Y LA CÁMARA ESTÁ DESPEJADA. NO INTENTE NINGUNA ACCIÓN HASTA HABER VACIADO EL ARMA Y HABER COMPROBADO QUE ES SEGURA.**

 **PRECAUCIÓN: SI EL VISOR NO ESTÁ MONTADO LO SUFICIENTEMENTE ADELANTE, EL MOVIMIENTO DE RETROCESO PODRÍA HERIR AL TIRADOR AL RETROCEDER EL RIFLE.**

Al montar su visor, le recomendamos que NO tome atajos, ya que puede dañar el sistema de montaje o el visor. Cada sistema de montaje tendrá sus propias instrucciones a seguir y lo mejor es leer las instrucciones primero para asegurarse de que las comprende y de tener las herramientas necesarias a mano.

Recomendamos además realice el procedimiento de montaje dos veces. La primera vez, para asegurarse de que todo encaja y funciona correctamente. Cuando lo haga por primera vez, tenga en cuenta lo siguiente:

- Antes de colocar la base, limpie los orificios de montaje en el receptor y las roscas de los tornillos de fijación con acetona o cualquier solvente bueno para liberarlos de aceite o grasa.
- Si el fabricante del montaje recomienda el uso de un adhesivo para roscas, no lo use en la primera prueba de montaje. Una vez que se ha fijado el adhesivo, es difícil desmontarlo si algo necesita corrección.
- Asegúrese de que los tornillos de montaje no sobresalgan en el receptor o el cañón.
- Al usar soportes de cola de milano, no use el visor como palanca cuando instale el visor. La resistencia inicial al giro puede causar daños al visor y no está cubierto por la garantía. Recomendamos el uso de una clavija de madera de 1" o un cilindro de metal para asentar los anillos.

- Asegúrese de que la posición del visor no interfiere con el funcionamiento de la acción.
- Asegúrese de que haya al menos 1/8" de espacio libre entre los bordes de los anillos y cualquier superficie sobresaliente, como la carcasa de la torreta (sillín), el anillo de selección de potencia y el destello del timbre del objetivo. También asegúrese de que haya al menos 1/8" de espacio libre entre el timbre del objetivo y el cañón.
- Debería intentar posicionar el visor para el alivio ocular adecuado. Los anillos del visor deben dejarse lo suficientemente sueltos para que el visor se desplace fácilmente. Los visores de potencia variable deben configurarse con la mayor ampliación al realizar este procedimiento. Monte el rifle y mire a través del visor en su posición normal de disparo.
- Pruebe la posición del rifle para un apoyo consistente adecuado varias veces para asegurarse de que su visor esté colocado correctamente.
- Cuando esté satisfecho de que todo está bien, desmóntese y comience nuevamente. En esta ocasión, coloque de manera firme todos los tornillos. **PRECAUCIÓN: No apriete de más.** El ajuste de par de torsión recomendado para los anillos de montaje incluidos es de 25-30 lb^f*in (libras fuerza por pulgada) para los tornillos/tuercas cruzados, y de 13-15 lb^f*in para los tornillos de la tapa del anillo.

PARALAJE

La paralaje ocurre cuando la imagen objetivo no se enfoca en el mismo plano óptico que la retícula. Aparece como un movimiento del objetivo contra la retícula cuando el ojo se aleja del centro de la pupila de salida. La cantidad de movimiento depende de la diferencia entre la distancia a la que se enfoca el objetivo y la distancia real del objetivo.

En la mayoría de los casos, la paralaje no afectará el punto de impacto lo suficiente como para ser una gran preocupación en situaciones de caza mayor. Los tres visores de aire ProTarget cuentan con un anillo de enfoque de paralaje objetivo ajustable y están configurados de fábrica para estar libres de paralaje a 100 yardas.

PRUEBAS PRELIMINARES

Puede ahorrar una cantidad significativa de gastos y frustraciones al probar el visor en el rifle antes de llevarlo al campo de tiro para prepararse.

Hay dos métodos básicos que se pueden usar para probar su visor. El primer método es usar un Bushnell® Bore Sighter (láser, magnético o estándar). El uso de un Bore Sighter ahorra tiempo y municiones y es el sistema más utilizado por los armeros. El segundo método es el ajuste de avistamiento tradicional:

MÉTODO DE PRUEBA DEL CALIBRE

1. Coloca un objetivo a una distancia de entre 25 y 50 yardas.
2. Retire el pasador del rifle.
3. Coloque el rifle en sacos de arena o un apoyo de tiro.
4. Establezca el visor a su aumento más bajo.
5. Mire a través del orificio del calibre y ajuste la posición del rifle para centrar la diana del objetivo en el calibre (fig. A).
6. Sin mover el rifle, mire dentro del visor y observe la posición de la retícula en el objetivo. Ajuste la elevación y la resistencia del viento para centrar la retícula en la diana (fig. B).

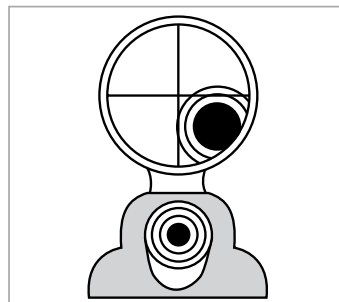


Fig. A
Retícula no alineada

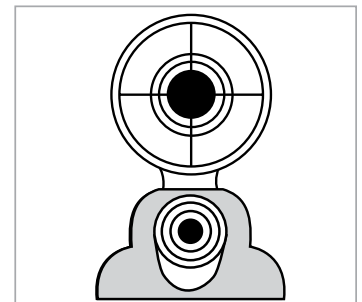


Fig. B
Retícula alineada

PRUEBAS FINALES

PRECAUCIÓN: PUESTO QUE ESTE PROCEDIMIENTO INCLUYE FUEGO REAL, DEBERÍA LLEVARSE A CABO EN UNA GALERÍA AUTORIZADA U OTRA ZONA SEGURA. COMPRUEBE QUE EL CALIBRE NO TENGA OBSTRUCCIONES. UN CALIBRE OBSTRUIDO PUEDE CAUSAR LESIONES PARA USTED Y OTRAS PERSONAS CERCANAS. SE RECOMIENDA USAR PROTECCIÓN DE OJOS Y OÍDOS.

1. Desde una posición de descanso constante, dispare dos o tres rondas a un objetivo a una distancia de 100 yardas. Apunte el impacto de la bala en el objetivo y ajuste los diales de elevación y resistencia al viento según sea necesario.
2. Para mover el punto de impacto de la bala, gire los ajustes de resistencia al viento y/o elevación en la dirección de los diales que correspondan al punto donde el impacto se desvía del objetivo (por ejemplo, si los tiros de prueba están impactando abajo, ajuste la elevación hacia "abajo"). Los ajustes en su modelo de mira de rifle están marcados en MOA (minutos de arco), y el punto de impacto a 100 yardas cambiará de MOA por cada clic en el ajuste de resistencia al viento o elevación. Una revolución completa del ajuste = 15 MOA.
3. Cuando el impacto en el objetivo a una distancia de 100 yardas sea satisfactorio, cambie a un objetivo establecido a la distancia deseada para la preparación para el disparo. Establezca la ampliación a la potencia deseada en los modelos de potencia variable.

CUIDADO DE SU VISOR PARA RIFLES

Su visor necesita muy poco mantenimiento. Las superficies exteriores de metal deben mantenerse limpias. Un poco de polvo con un paño suave ligeramente humedecido es suficiente en la mayoría de los casos.

Su nuevo visor cuenta con torretas de elevación y resistencia al viento que están completamente selladas contra la intrusión de agua. Sin embargo, le recomendamos que mantenga las tapas de elevación y resistencia al viento en las torretas, excepto cuando realice ajustes, para evitar que se acumule polvo y suciedad en el área de la torreta.

También recomendamos que las cubiertas de las lentes se mantengan en su lugar cuando no se esté utilizando el visor. Las lentes deben inspeccionarse periódicamente y mantenerse limpias en todo momento. El polvo, la suciedad y las huellas dactilares que se acumulan en las superficies de la lente degradarán severamente la calidad de la imagen y, si se dejan sucios por períodos prolongados, la capa antirreflectante podría dañarse. Aunque la limpieza de lentes no es difícil, requiere cuidado y un poco de paciencia.

- Comience con un cepillo para lentes o un cepillo de cerdas suaves. Suavemente aleje las partículas de suciedad sueltas.
- Luego, use una jeringa para oídos o un aspirador nasal (disponible en la mayoría de las farmacias) para eliminar la suciedad o el polvo restante de las superficies de las lentes.
- Si necesita más limpieza, use un paño seco, suave y sin pelusa. Limpie muy suavemente la lente, comenzando por el centro con un movimiento circular y luego hacia afuera hasta el borde.
- Si esto no ha corregido el problema, repita el proceso utilizando la condensación de su aliento.

ALTITUD Y TEMPERATURA

Los gráficos balísticos publicados por los fabricantes de municiones se basan en las condiciones estándar del nivel del mar. Durante las pruebas de disparos, es bueno tener en cuenta que la altitud y la temperatura afectan la trayectoria. Lo mejor es realizar las pruebas en las mismas condiciones en las que estará cuando vaya a cazar.

¿NECESITA ENVIARNOS SU VISOR?

Antes de devolver su visor para arreglarlo, debe comprobar los siguientes puntos para asegurarse de que el problema sea del visor:

- Compruebe que el sistema de montaje y los anillos no estén flojos ni desalineados.
- Asegúrese de que cañón y la acción estén colocados correctamente y que todos los tornillos del receptor estén apretados.
- Compruebe que el sistema de montaje permite un espacio suficiente entre el timbre del objetivo y el cañón.
- Compruebe que esté usando el mismo tipo de munición y peso que usó para las pruebas.

ESPECIFICACIONES TÉCNICAS

SKU	AMP X DIÁM. OBJ.	RETÍCULA	VAJE DE ELEVACIÓN	VIAJE POR REV.	AJUSTE DE TORRETA	DISTANCIA OCULAR, AMP. MÁX.	CAMPO DE VISIÓN PIES @ 100 YARDAS	LONGITUD (PULGADAS)	PESO (ONZAS)
SPTA432	4x32	Simmons Truplex	60 MOA	60 MOA	1/4 MOA	85	26	12.5/353.5	9.2/233.7
SPTA2732	2-7x32	Simmons Truplex	60 MOA	60 MOA	1/4 MOA	80-1-5	14-46	11.3/287	14.8/419
SPTA3940	3-9x40	Simmons Truplex	60 MOA	60 MOA	1/4 MOA	78-91	13-38	12.9/330	17.7/501

GARANTÍA LIMITADA DE POR VIDA DE SIMMONS

Todos los productos de Simmons están diseñados para cumplir con sus expectativas y fueron fabricados para soportar los rigores de los ambientes exteriores durante la vida del producto. Si nuestro producto presenta fallas, lo respaldaremos y repararemos sin costo. Si no podemos reparar el producto, lo remplazaremos con un producto de igual o mejor valor; no se requiere recibo y es totalmente transferible.

*Todos los productos de Simmons® tienen una garantía limitada contra defectos de mano de obra y materiales. El periodo de vida del producto se define como 30 años para miras de rifle, 20 años para binoculares y observadores, y 5 años para electro-ópticas y componentes electrónicos (localizadores láser, miras de punto rojo, y miras réflex). La fecha de inicio del periodo de cobertura está determinada por la prueba de compra o la fecha de fabricación del producto. Esta garantía no cubre daños cosméticos, daños causados por no darle mantenimiento al producto, pérdida, robo, daño debido a reparaciones, modificaciones o desarmado no autorizados, daño intencional, mal uso o abuso. Esta garantía será anulada si la marca de fecha u otros códigos de serie fueron eliminados del producto. Podremos remplazar su producto en una condición física igual o mejor.

¿Cómo puedo solicitar servicio bajo mi garantía?

No se requiere recibo, tarjeta de garantía o registro del producto para presentar una reclamación por garantía. Todas las reclamaciones deben ser enviadas dentro del periodo de garantía descrito en el Manual del producto. DEVOLUCIONES EN EE. UU. Y CANADÁ: Si piensa que su solicitud cae dentro del periodo de garantía descrito, llámenos al 1-800-423-3537 o envíe un mensaje a través de nuestro Formulario de contacto, y lo ayudaremos a resolver cualquier problema.

©2024 Simmons Optics
Simmons,™, ®, indican marcas comerciales de Simmons Optics
www.simmonsoptics.com
22101 W. 167th St., Olathe, KS 66062

Mit dem Simmons ProTarget Air Zielfernrohr haben Sie die richtige Entscheidung getroffen!

Zusätzlich ist Ihr neues ProTarget-Zielfernrohr mit unserem Schnellfokus-Okular ausgestattet. Während der Augenabstand bei einem normalen Okular in der Regel mit zunehmender Vergrößerung abnimmt, bietet Simmons neues Design einen gleichbleibenden Augenabstand. Sobald das Gewehr des Schützen richtig an der Wange aufliegt, kann die Position über den gesamten Leistungsbereich beibehalten werden.

Die Zielfernrohre der ProTarget-Air-Reihe von Simmons wurden speziell dafür entwickelt, dem Prellschlag von Luftgewehren standzuhalten.

Die neu gestalteten Seiten- und Höhenverstellräder an ihrem Zielfernrohr sind mit Kugellager- und Federsystemen ausgestattet, die den Verschleiß erheblich verringern und gleichzeitig die Genauigkeit und Zuverlässigkeit der Drehscheiben auch über lange Zeit gewährleisten. Ihre festen und präzisen Klicks geben Ihnen die Gewissheit, dass alle Einstellungen, die Sie auf dem Schießplatz oder bei der Jagd vornehmen, exakt und wiederholbar sind.

! WARNUNG: EIN ZIELFERNROHR SOLLTE NIEMALS ALS ERSATZ FÜR EIN FERNGLAS ODER EIN SPEKTIV BENUTZT WERDEN. DIES KÖNNTE DAZU FÜHREN, DASS SIE UNABSICHTLICH IHRE WAFFE AUF EINE PERSON RICHTEN.

! WARNUNG: SCHAUEN SIE NIEMALS MIT EINEM OPTISCHEN INSTRUMENT IN DIE SONNE. DIES KÖNNTE DAUERHAFTER AUGENSCHÄDEN FÜHREN.

BESCHREIBUNG DER BAUTEILE

**Abgebildetes Modell: ProTarget Air 4x32 Zielfernrohr*

1. Okularlinse
2. Objektivlinse
3. Einstellring
4. Seitenverstellung
5. Höhenverstellung



Accessories Included:

- A. Schwalbenschwanz-Aluminiumringe mit Stoppstift
- B. Bikini-Objektivkappen aus Gummi
- C. Reinigungstuch



KERNELEMENTE EINES ZIELFERNROHRS

Die Hauptelemente eines Zielfernrohrs:

1. **Objektivlinse:** Dieses Objektiv hat drei Funktionen. Erstens ermöglicht es das Eindringen von Licht in das Zielfernrohr. Zweitens bestimmt es die Auflösung. Im Allgemeinen lassen größere Objektive mehr Licht in das Zielfernrohr eindringen und lösen Details besser auf als kleinere. Schließlich bildet es ein Bild für die anderen Objektive, um es auf eine brauchbare Größe zu vergrößern. Das Bild, das von dieser Linse erzeugt wird, steht auf dem Kopf.
2. **Erektor-System:** Das Erektor-System erfüllt drei Funktionen. Die Hauptfunktion besteht darin, das Bild aufzurichten (d. h. das Bild richtig herum drehen) und es auf das Absehen auszurichten. Während dieses Vorgangs findet eine primäre Vergrößerung des Bildes statt. Diese beiden Funktionen sind das Ergebnis einer Linsenwirkung. Die dritte Funktion ist eine mechanische. Die Erektor-Linsen sind in einem Rohr untergebracht, das an einem Ende befestigt ist, während das andere Ende des Rohrs sich frei bewegen und auf die Einstellungen der Skala reagieren kann. Durch Verschieben des Erektor-Systems wird der Zielpunkt des Zielfernrohrs an den Auftreffpunkt des Projektils angepasst.
3. **Absehen:** Einfach ausgedrückt, es ist das Zielgerät, um das herum das Zielfernrohr gebaut ist. Dieses Element ersetzt das Visiersystem von Gewehren ohne Zielfernrohr.
4. **Okular- oder Augenlinse:** Dieses Element sorgt für die sekundäre und letzte Vergrößerung des Bildes. Ziehen Sie diesmal alle Schrauben fest an. **VORSICHT: Nicht zu fest anziehen.** Die empfohlenen Drehmomente für die beiliegenden Montageringe liegen bei 2,8-3,4 N·m (Pfundkraft-Zoll: 25-30 lb*in) für die Querbolzen und 1,5-1,7 N·m (13-15 lb*in) für die Schrauben der Ringkappen.

MONTAGE IHRES ZIELFERNROHRS

Ihr neues Zielfernrohr wird selbst mit seinem technologisch fortschrittlichen Design und seinen Leistungsmerkmalen nicht optimal funktionieren, wenn es nicht ordnungsgemäß montiert wird. Einer der wichtigsten Aspekte für die Genauigkeit Ihres Zielfernrohrs und Gewehrs ist die Auswahl der Halterung und die Sorgfalt, mit der die Montage durchgeführt wird. Zuverlässige Halterungen, die Ihr Zielfernrohr fest mit dem Gewehr verbinden, werden Sie mit Zuverlässigkeit und gleichbleibender Genauigkeit begeistern. Sie sollten bei der Auswahl eines Montagesystems genauso sorgfältig vorgehen wie bei der Auswahl Ihres Zielfernrohrs. Simmons empfiehlt die Verwendung der mitgelieferten Befestigungsringe für Ihr Zielfernrohr.

Denken Sie daran, dass nicht alle Zielfernrohre mit allen Befestigungen an allen Gewehren kompatibel sind. Wenn Sie irgendwelche Zweifel haben, sollten Sie den Rat Ihres örtlichen Händlers oder Büchsenmachers einholen.

VORLÄUFIGE ZIELFERNROHR-EINSTELLUNGEN

Vor der Installation des Zielfernrohrs empfehlen wir Ihnen, den Fokus des Okulars auf Ihre individuellen Sehanforderungen einzustellen. Die Fokussierung des Augenabstandes führt zu einer schärferen Fokussierung des Absehens, einem verbesserten optischen Bild und hilft, die Augenermüdung zu vermeiden, wenn Sie das Zielfernrohr über einen längeren Zeitraum hinweg verwenden. Halten Sie das Visier zum Nachfokussieren etwa 7 bis 10 cm (3 bis 4 Zoll) von Ihrem Auge entfernt und richten Sie es auf den offenen Himmel oder andere gleichmäßig beleuchtete Bereiche wie eine monoton bemalte Wand.

Blicken Sie schnell in das Zielfernrohr. Wenn das Absehen beim ersten Blick unscharf erscheint, ist es nicht fokussiert. Drehen Sie das Okular mehrmals im Uhrzeigersinn oder gegen den Uhrzeigersinn. Schauen Sie erneut in das Zielfernrohr, um die Schärfe des Absehens zu überprüfen. Denken Sie daran, nur einen kurzen Blick zu werfen, denn das Auge kompensiert die leichte Unschärfe. Wenn das Absehen immer noch unscharf erscheint, drehen Sie das Okular noch zwei bis drei Umdrehungen. Wiederholen Sie diesen Vorgang, bis das Absehen scharf und klar erscheint.

Wenn sich Ihre Augen im Laufe der Jahre nicht wesentlich verändern, müssen Sie diese Einstellung nicht erneut vornehmen.

BEFESTIGEN VON HALTERUNG, RINGEN UND ZIELFERNROHR AN IHREM GEWEHR



WARNUNG: BEVOR SIE MIT DER MONTAGE BEGINNEN, VERGEWISSERN SIE SICH, DASS DER ABZUG OFFEN IST, DER LADESTREIFEN ODER DAS MAGAZIN ENTFERNT WURDE UND DIE KAMMER FREI IST. BEGINNEN SIE NICHT MIT DER ARBEIT, BEVOR IHRE WAFFE GELEERT WURDE UND ALS GESICHERT ANZUSEHEN IST.



WARNUNG: WENN DAS ZIELFERNROHR NICHT AUSREICHEND WEIT VORN MONTIERT WIRD, KANN ES DURCH DIE RÜCKWÄRTSBEWEGUNG BEIM RÜCKSTOSS DER WAFFE DEN SCHÜTZEN VERLETZEN.

Bei der Montage Ihres Zielfernrohrs empfehlen wir, KEINE Abkürzungen zu nehmen, da dies zu Schäden am Montagesystem oder am Zielfernrohr führen kann. Jedes Montagesystem hat seine eigenen Anweisungen zu befolgen, und es ist am besten, die Anweisungen zuerst zu lesen, um sicherzustellen, dass Sie sie verstehen und die notwendigen Werkzeuge zur Hand haben.

Wir empfehlen Ihnen außerdem, die Montage zweimal durchzuführen. Das erste Mal, um sicher zu gehen, dass alles zusammenpasst und richtig funktioniert. Beachten Sie beim ersten Durchlauf Folgendes:

- Bevor Sie den Sockel befestigen, reinigen Sie die Befestigungslöcher im Empfänger und die Gewinde der Befestigungsschrauben mit Aceton oder einem anderen geeigneten Lösungsmittel, um sie von Öl oder Fett zu befreien.
- Wenn der Hersteller der Halterung die Verwendung eines Gewindeklebers empfohlen hat, verwenden Sie ihn nicht beim ersten Montageversuch. Sobald der Klebstoff erstarrt ist, wird es schwierig zu demontieren, wenn etwas korrigiert werden muss.
- Achten Sie darauf, dass die Befestigungsschrauben nicht in den Empfänger oder den Lauf ragen.
- Bei Verwendung von Schwalbenschwanzbefestigungen darf das Zielfernrohr bei der Montage des Zielfernrohrs nicht als Hebel verwendet werden. Der anfängliche Drehwiderstand kann zu Schäden am Zielfernrohr führen und wird nicht von der Garantie abgedeckt. Wir empfehlen die Verwendung eines 3,5 cm (1 Zoll) langen Holzdübels oder eines Metallzylinders, um die Ringe zu setzen.

- Stellen Sie sicher, dass die Position des Zielfernrohrs den Abzug nicht beeinträchtigt.
- Vergewissern Sie sich, dass zwischen den Rändern der Ringe und den überstehenden Flächen, wie z. B. dem Revolvergehäuse (Sattel), dem Einstellring und dem Aufklackern der Objektivglocke, ein Mindestabstand von 0,3 cm (1/8 Zoll) besteht. Stellen Sie außerdem sicher, dass zwischen der Objektivglocke und dem Lauf ein Abstand von mindestens 0,3 cm (1/8 Zoll) besteht.
- Sie sollten die Position des Zielfernrohrs für die richtige Augenentlastung testen. Die Zielfernrohrringe sollten locker genug sein, damit das Zielfernrohr leicht gleiten kann. Zielfernrohre mit variabler Leistung sollten bei dieser Vorgehensweise auf die höchste Vergrößerung eingestellt werden. Montieren Sie das Gewehr und schauen Sie in normaler Schussposition durch das Zielfernrohr.
- Testen Sie das Gewehr für eine Position mehrere Male, um sicherzustellen, dass Ihr Zielfernrohr korrekt positioniert ist.
- Wenn Sie zufrieden sind und alles in Ordnung ist, demontieren und beginnen Sie erneut. Dieses Mal alle Schrauben fest anziehen.

PARALLAXE

Parallaxe tritt auf, wenn das Zielbild nicht auf der gleichen optischen Ebene wie das Absehen fokussiert ist. Sie erscheint als Zielbewegung gegen das Absehen, wenn sich das Auge vom Zentrum der Austrittspupille wegbewegt. Die Größe der Bewegung hängt von der Differenz zwischen der Entfernung, auf die das Objektiv fokussiert wird, und der tatsächlichen Entfernung ab.

In den meisten Fällen wird die Parallaxe den Einschlagpunkt des Projektils nicht so stark beeinflussen, dass sie bei der Großwildjagd von erheblicher Bedeutung ist. Alle drei ProTarget-Luftzielfernrohre verfügen über einen einstellbaren Objektiv-Parallaxen-Fokusring und sind werkseitig so eingestellt, dass sie auf 100 Yards parallaxenfrei sind.

VORLÄUFIGES EINSCHIESSEN

Sie können eine erhebliche Menge an Kosten und Frustration sparen, indem Sie das Zielfernrohr vor dem Einschießen in den Bereich auf Null setzen.

Es gibt zwei grundlegende Methoden, die zum Einschießen des Zielfernrohrs verwendet werden können. Die erste Methode ist das Verwenden einer Bushnell® Bore Sighter (Laser, magnetisch oder Standard). Der Einsatz eines Bore Sighters spart Zeit und Munition und ist das am häufigsten von Büchsenmachern verwendete System. Die zweite Methode ist das traditionelle Einvisieren:

EINVISIEREN

1. Setzen Sie ein Ziel auf 23 bis 45 Metern (25 bis 50 Yards).
2. Entfernen Sie den Bolzen vom Gewehr.
3. Legen Sie das Gewehr auf Sandsäcke oder auf eine Schießbank.
4. Stellen Sie das Zielfernrohr auf die niedrigste Vergrößerung ein.
5. Schauen Sie durch den Lauf des Empfängers und stellen Sie die Position des Gewehrs so ein, dass das Zielobjekt im Lauf zentriert erscheint (Abb. A).
6. Schauen Sie, ohne das Gewehr zu bewegen, in das Zielfernrohr und notieren Sie die Position des Absehens auf dem Ziel. Passen Sie die Seiten- und Höhenverstellungskappen an, um das Absehen auf dem Bullauge zu zentrieren (Abb. B).

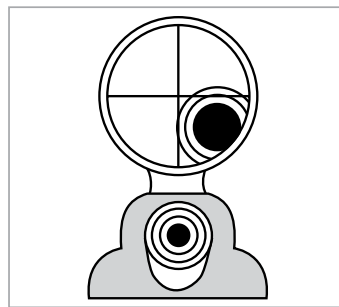


Fig. A
Absehen nicht ausgerichtet

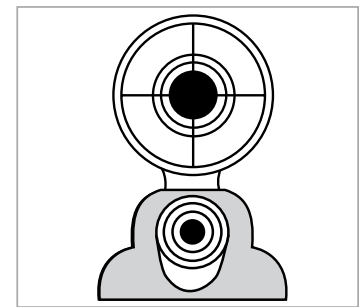


Fig. B
Absehen ausgerichtet

LETZTES EINSCHIESSEN

⚠️ WARNUNG: DA DIESER VORGANG SCHARFSCHIESSEN BEINHÄLTET, MUSS ER INNERHALB EINER ZUGELASSENEN ANLAGE ODER EINES ANDEREN SICHEREN GEBIETES ERFOLGEN. DEN LAUF AUF VERSTOPFENDE OBJEKTE PRÜFEN. EIN VERSTOPFTER LAUF KANN IHNEN UND ANDEREN IN IHRER NÄHE SCHADEN ZUFÜGEN. WIR EMPFEHLEN DIE VERWENDUNG VON AUGEN- UND GEHÖRSCHUTZ.

1. Feuern Sie aus einer Ruheposition zwei oder drei Runden auf ein 90-Meter-Ziel (100 Yard). Notieren Sie den Treffpunkt des Projektils auf dem Ziel und passen Sie die Höhen- und Seitenskalen nach Bedarf an.
2. Um den Treffpunkt des Geschosses zu verschieben, drehen Sie die Höhen- und/oder Seitenverstellungen in Richtung des Treffpunkts auf dem Ziel (sind die Schüsse zu tief, drehen Sie die Höhenverstellung nach „unten“). Die Einstellungen an Ihrem Zielfernrohrmodell sind in MOA (Bogenminuten) markiert und der Treffpunkt auf 100 Yards (91 Meter) ändert sich bei jedem Klick der Höhen- oder Seitenverstellung um 1/4 MOA. Eine ganze Umdrehung der Verstellung=15 MOA.
3. Wenn der Aufprall auf das 90-Meter-Ziel (100 Yard) zufriedenstellend ist, wechseln Sie zu einem Ziel, das in der gewünschten Entfernung für den endgültigen Nullabgleich eingestellt wurde. Stellen Sie die Vergrößerung bei Modellen mit variabler Leistung auf die gewünschte Leistung ein.

PFLEGE IHRES ZIELFERNROHRS

Ihr Zielfernrohr benötigt sehr wenig Wartung. Äußere Metalloberflächen sollten sauber gehalten werden. Ein leichtes Abstauben mit einem leicht angefeuchteten weichen Tuch reicht in den meisten Fällen aus.

Ihr neues Zielfernrohr verfügt über Seiten- und Höheneinstellknöpfe, die vollständig gegen Eindringen von Wasser abgedichtet sind. Wir empfehlen jedoch, dass Sie die Seiten- und Höhenverstellkappen auf den Verstellknöpfen lassen, außer wenn Sie Einstellungen vornehmen, um zu verhindern, dass sich dort Staub und Schmutz ansammelt.

Wir empfehlen außerdem, die Objektivschutzkappen anzubringen, wenn das Zielfernrohr nicht verwendet wird. Linsen sollten regelmäßig kontrolliert und immer sauber gehalten werden. Staub, Schmutz und Fingerabdrücke, die sich auf den Linsenoberflächen sammeln, verschlechtern die Bildqualität erheblich. Wenn sie für längere Zeit schmutzig bleiben, kann die Antireflexbeschichtung beschädigt werden. Obwohl die Linsenreinigung nicht schwierig ist, erfordert sie Sorgfalt und Geduld.

- Beginnen Sie mit einem Linsenpinsel oder einem kleinen, weichen Borstenpinsel. Lose Schmutzpartikel vorsichtig wegwischen.
- Verwenden Sie als nächstes eine Ohrspritze oder eine Saugbirne (erhältlich in den meisten Drogerien), um den verbleibenden Schmutz oder Staub von den Linsenoberflächen zu blasen.
- Wenn eine weitere Reinigung erforderlich ist, verwenden Sie ein trockenes, weiches fusselfreies Tuch. Wischen Sie die Linse vorsichtig ab, fangen Sie in der Mitte mit einer kreisförmigen Bewegung an und arbeiten Sie sich dann nach außen bis zum Rand.
- Wenn das Problem dadurch nicht behoben wurde, wiederholen Sie den Vorgang mit Ihrer Atemfeuchtigkeit.

HÖHE UND TEMPERATUR

Ballistische Karten, die von Munitionsherstellern veröffentlicht werden, basieren auf Standardbedingungen auf Meereshöhe. Beim Einschießen ist zu beachten, dass Höhe und Temperatur die Flugbahn beeinflussen. Es ist am Besten, das Einschießen unter den gleichen Bedingungen vorzunehmen, unter denen Sie jagen werden.

MÜSSEN SIE UNS IHR ZIELFERNROHR ZUSENDEN?

Bevor Sie Ihr Zielfernrohr an den Kundenservice senden, sollten Sie die folgenden Punkte überprüfen, um sicherzustellen, dass die Ursache des Problems am Zielfernrohr liegt:

- Überprüfen Sie das Montagesystem und die Ringe auf Lockerheit oder Fehlausrichtung.
- Vergewissern Sie sich, dass der Lauf und die Mechanik richtig gebettet und alle Schrauben fest angezogen sind.
- Vergewissern Sie sich, dass das Montagesystem einen ausreichenden Abstand zwischen der Objektivglocke und dem Lauf ermöglicht.
- Vergewissern Sie sich, dass Sie dieselbe Munition mit dem gleichen Typ und Gewicht verwenden, die Sie beim Einschießen verwendet haben.

TECHNISCHE SPEZIFIKATIONEN

SKU	VERGR. X OBJEKTIVDM.	ABSEHEN	HÖHENVERSTELLUNG	UMDREHUNG	TURMVERSTELLUNG	AUGENABSTAND (MM)	SICHTFELD AUF 100 YDS	LÄNGE (MM)	GEWICHT (G)
SPTA432	4x32	Simmons Truplex	60 MOA	60 MOA	1/4 MOA	85	26	12.5/353.5	9.2/233.7
SPTA2732	2-7x32	Simmons Truplex	60 MOA	60 MOA	1/4 MOA	80-1-5	14-46	11.3/287	14.8/419
SPTA3940	3-9x40	Simmons Truplex	60 MOA	60 MOA	1/4 MOA	78-91	13-38	12.9/330	17.7/501

EINGESCHRÄNKTE LEBENSLANGE GARANTIE VON SIMMONS

Alle Simmons-Produkte werden mit dem Ziel entwickelt, alle Ihre Erwartungen zu erfüllen und den harten Bedingungen im Freien über die gesamte Lebensdauer des Produkts standzuhalten. Sollte unser Produkt einmal nicht funktionieren, stehen wir dazu und reparieren es kostenlos. Wenn wir das Produkt nicht reparieren können, ersetzen wir es durch ein gleich- oder höherwertiges Produkt - ohne Kaufbeleg und vollständig übertragbar.

*Für alle Simmons®-Produkte gilt eine eingeschränkte Garantie auf Verarbeitungs- und Materialfehler. Der als Produktlebensdauer definierte Zeitraum beträgt 30 Jahre bei Zielfernrohren, 20 Jahre bei Ferngläsern und Spektiven, 5 Jahre bei Elektrooptik und elektronischen Komponenten (Laser-Entfernungsmesser, Rotpunktvisiere und Reflexvisiere). Das Anfangsdatum der Garantiezeit wird durch den Kaufbeleg oder das Herstellungsdatum des Produkts festgelegt. Diese Garantie gilt nicht für kosmetische Schäden; Schäden, die durch mangelnde Wartung des Produkts verursacht wurden; Verlust; Diebstahl; Schäden aufgrund unbefugter Reparaturen, Änderungen oder Demontage; vorsätzliche Beschädigung, unsachgemäße Handhabung oder Missbrauch. Die Garantie verfällt, wenn der Datumsstempel oder andere Seriennummern von dem Produkt entfernt wurden. Wir können Ihr Produkt durch eines in gleichem oder besserem Zustand ersetzen.

Wie kann ich Serviceleistungen im Rahmen meiner Garantie in Anspruch nehmen?

Um einen Garantieanspruch geltend zu machen, benötigen Sie keinen Kaufbeleg, keine Garantiekarte und müssen das Produkt nicht registrieren. Alle Ansprüche müssen innerhalb der im Produkthandbuch angegebenen Garantielaufzeit geltend gemacht werden. RÜCKGABE USA & KANADA: Wenn Sie der Meinung sind, dass Ihr Anliegen in die angegebene Garantiezeit fällt, rufen Sie uns bitte unter 1-800-423-3537 an oder senden Sie uns eine Nachricht über unser Kontaktformular. Wir werden Ihnen helfen, alle Probleme zu lösen.

©2024 Simmons Optics
Simmons,™, ®, kennzeichnen Marken von Simmons Optics
www.simmonsoptics.com
22101 W. 167th St., Olathe, KS 66062

Scegliere il cannocchiale da mira Simmons ProTarget Air è stata la decisione giusta!

Il nuovo cannocchiale da puntamento ProTarget Air è dotato anche di oculare con messa a fuoco rapida. In un normale oculare, solitamente l'estrazione pupillare si riduce quando si aumenta l'ingrandimento. Il nuovo design di Simmons offre un'estrazione pupillare costante. In realtà, quando il tiratore trova il corretto appoggio sulla guancia, è possibile mantenere la posizione per tutta la gamma di potenza.

I cannocchiali da puntamento Simmons ProTarget Air sono progettati appositamente per resistere al doppio rinculo tipico dei fucili ad aria compressa.

movimento in senso verticale e orizzontale, oltre che in avanti e indietro, dietro il mirino.

Le nuove ghiera per la regolazione del vento laterale e l'altezza sul mirino utilizzano un sistema di cuscinetti a sfera e molle che riducono notevolmente l'usura, mantenendo l'affidabilità e la precisione delle ghiera nel tempo. Gli scatti netti e precisi danno la certezza di sapere che qualsiasi regolazione effettuata, al poligono o sul campo, è accurata e ripetibile.

AVVERTENZA: NON UTILIZZARE MAI IL CANNOCCHIALE COME SOSTITUTO DI UN BINOCOLO O UN MONOCULARE POICHÉ IL FUCILE POTREBBE VENIRE INAVVERTITAMENTE PUNTATO VERSO UN'ALTRA PERSONA.

ATTENZIONE: NON GUARDARE MAI IL SOLE ATTRAVERSO NESSUN STRUMENTO OTTICO. QUESTO PUÒ CAUSARE DANNI PERMANENTI AGLI OCCHI.

GUIDA AI COMPONENTI

**Modello mostrato: cannocchiale da puntamento ProTarget Air 4x32*

1. Lente oculare
2. Lente dell'obiettivo
3. Anello di regolazione dell'ingrandimento
4. Regolazione della deriva
5. Regolazione dell'alzo



Accessori inclusi:

- A. Anelli in alluminio a coda di rondine con perno di arresto
- B. Coprilente bikini in gomma
- C. Panno per la pulizia



ELEMENTI CHIAVE DI UN CANNOCCHIALE

Un cannocchiale è costituito da questi elementi principali:

1. Lente dell'obiettivo: questa lente ha tre funzioni. Innanzitutto permette alla luce di passare attraverso il cannocchiale. Quindi determina la risoluzione. Generalmente le lenti più grandi consentono a una quantità maggiore di luce di entrare nel cannocchiale e, rispetto alle lenti più piccole, permettono di vedere un numero maggiore di dettagli. Infine forma un'immagine che le altre lenti possono ingrandire fino a una dimensione utilizzabile. Questa immagine è capovolta.
2. Sistema erettore: questo sistema ha tre funzioni. Innanzitutto erige l'immagine (ovvero la capovolge nel verso giusto) e la allinea al reticolo. Durante questo processo si verifica l'ingrandimento principale dell'immagine. Queste due funzioni sono il risultato dell'azione della lente. La terza funzione è di natura meccanica. Le lenti erettrici sono alloggiare in un tubo fissato a un'estremità. L'altra estremità del tubo è libera di muoversi e di adattarsi alle regolazioni della manopola. Spostando il sistema erettore, il punto di mira del cannocchiale viene regolato in base al punto di impatto del proiettile.
3. Reticolo: si tratta del dispositivo di mira intorno a cui viene costruito il cannocchiale. Questo elemento sostituisce il sistema di puntamento in ferro dei fucili senza cannocchiale.
4. Oculare o lente oculare: questo elemento fornisce il secondo e ultimo ingrandimento dell'immagine.

MONTAGGIO DEL CANNOCCHIALE

Nonostante il design e le funzioni tecnologicamente avanzati, il nuovo cannocchiale deve essere montato correttamente per garantire prestazioni ottimali. Due dei fattori più importanti che contribuiscono alla precisione del cannocchiale e del fucile sono la scelta dell'attacco e la cura nel montaggio. Scegliere un attacco affidabile in grado di fissare saldamente il cannocchiale al fucile per un'accuratezza costante. Nella scelta del sistema di attacco prestare la stessa cura che si è prestata nella selezione del cannocchiale. Simmons consiglia di utilizzare l'insieme di anelli di montaggio in dotazione con il cannocchiale.

Tenere presente che non tutti i cannocchiali sono compatibili con tutti gli attacchi su tutti i fucili. In caso di dubbi richiedere l'assistenza del rivenditore o dell'armaiolo locale.

REGOLAZIONI PRELIMINARI DEL CANNOCCHIALE

Prima di montare il cannocchiale, si consiglia di impostare la messa a fuoco dell'oculare in base ai propri requisiti visivi. La rifocalizzazione della distanza oculare comporta una messa a fuoco più nitida del reticolo e un'immagine ottica migliore ed evita che gli occhi si affaticino quando si utilizza il cannocchiale per lunghi periodi di tempo. A questo scopo tenere il cannocchiale a 7,5-10 cm di distanza dall'occhio e puntarlo verso il cielo aperto o un'altra area completamente illuminata, ad esempio una parete verniciata di un solo colore.

Dare un'occhiata rapida nel cannocchiale. Se non si distingue bene il reticolo, significa che non è messo a fuoco. Ruotare l'oculare in senso orario o antiorario di più giri. Dare di nuovo un'occhiata rapida nel cannocchiale per verificare la nitidezza del reticolo. È importante che le occhiate siano rapide per evitare che l'occhio compensi le condizioni di leggera sfocatura. Se il reticolo continua a non distinguersi bene, ruotare l'oculare di altri due o tre giri. Ripetere la procedura fino a quando il reticolo non risulta nitido e ben definito.

A meno che la propria vista non subisca grandi variazioni negli anni, questa regolazione non si rende più necessaria.

FISSAGGIO DI ATTACCO, ANELLI E CANNOCCHIALE AL FUCILE



AVVERTENZA: PRIMA DI PROCEDERE AL MONTAGGIO, ASSICURARSI CHE L'AZIONE SIA APERTA, IL FERMO O IL CARICATORE SIA STATO RIMOSSO E NON SIA RIMASTO UN COLPO NELLA CAMERA. NON TENTARE DI ESEGUIRE ALCUN LAVORO FINCHÉ L'ARMA DA FUOCO NON È SCARICA E NON È RITENUTA SICURA.



AVVERTENZA: QUALORA IL CANNOCCHIALE NON VENGA MONTATO A UNA DISTANZA SUFFICIENTE, IL MOVIMENTO DI SPINTA ALL'INDIETRO PUÒ PROVOCARE LESIONI AL TIRATORE A CAUSA DEL CONTRACCOLPO DEL FUCILE.

Durante il montaggio del cannocchiale si consiglia di NON saltare passaggi per evitare di danneggiare il sistema di montaggio o il cannocchiale. Per ogni sistema di montaggio sono disponibili delle istruzioni. Si consiglia di leggerle attentamente prima per assicurarsi di comprenderle e di avere gli strumenti necessari a portata di mano.

Si raccomanda altresì di ripetere la procedura di montaggio. La prima volta assicurarsi che tutti gli elementi siano montati e funzionino correttamente e tenere a mente quanto riportato di seguito.

- Prima di fissare la base, pulire i fori di montaggio nel ricevitore e i filetti delle viti di montaggio con acetone o un altro solvente valido per rimuovere olio o grasso.
- Se il produttore dell'attacco consiglia l'utilizzo di un adesivo per filetti, non usarlo nella prima prova di montaggio. Una volta che l'adesivo si è asciugato, è difficile rimuoverlo qualora fosse necessario apportare una correzione.
- Assicurarsi che le viti di montaggio non sporgano nel ricevitore o nella canna.
- Se si utilizzano attacchi a coda di rondine, non usare il cannocchiale come leva durante l'installazione. La resistenza iniziale alla rotazione può danneggiare il cannocchiale ed eventuali danni risultanti non sono coperti dalla garanzia. Si consiglia di utilizzare un tassello in legno o un cilindro in metallo di 2,5 cm per bloccare gli anelli.
- Assicurarsi che la posizione del cannocchiale non interferisca con il funzionamento dell'azione.

- Assicurarsi che vi sia una distanza di almeno 3 mm tra i bordi degli anelli ed eventuali superfici sporgenti, ad esempio la sede della torretta (appoggio), l'anello di regolazione dell'ingrandimento e la svasatura della campana dell'obiettivo. Accertarsi inoltre che la campana dell'obiettivo e la canna distino almeno 3 mm l'una dall'altra.
- Provare la posizione del cannocchiale per verificare che il rilievo oculare sia appropriato. Lasciare gli anelli sufficientemente allentati affinché il cannocchiale scorra facilmente. Durante questa procedura impostare il valore di ingrandimento più alto nei cannocchiali a ingrandimento variabile. Montare il fucile e guardare attraverso il cannocchiale nella normale posizione di tiro.
- Provare la posizione del fucile più volte per assicurarsi che la guancia poggi bene e che il cannocchiale sia posizionato correttamente.
- Una volta che si è soddisfatti, smontare il cannocchiale e ripetere la procedura stringendo le viti. Questa volta, applicare fermamente tutte le viti. **ATTENZIONE: non stringere eccessivamente.** Le impostazioni di coppia di serraggio consigliate per gli anelli di montaggio sono di 25-30 lb^f·in (libbre-forza per pollice) per dadi/bulloni a doppio filetto e 13-15 lb^f·in per le viti a testa cilindrica.

PARALLASSE

La parallasse si verifica quando l'immagine del bersaglio non è a fuoco sullo stesso piano ottico del reticolo. Quando l'occhio si allontana dal centro della pupilla di uscita, sembra che il bersaglio si sposti sul reticolo. La portata del movimento dipende dalla differenza tra la distanza a cui viene messa a fuoco la lente dell'obiettivo e la distanza effettiva del bersaglio.

Nella maggior parte dei casi la parallasse non ha un impatto significativo sul punto di impatto del proiettile durante la caccia grossa. Tutti e tre i cannocchiali da mira ad aria compressa ProTarget sono dotati di un anello di messa a fuoco parallasse dell'obiettivo regolabile e sono impostati in fabbrica per essere privi di parallasse a 100 iarde.

PUNTAMENTO PRELIMINARE

Eeguire il puntamento preliminare del cannocchiale con il fucile prima di portarlo al poligono per l'azzeramento per evitare di sprecare denaro e forze.

Esistono due metodi di base che è possibile utilizzare per il puntamento preliminare del cannocchiale. Il primo comporta l'utilizzo di un collimatore Bushnell® (laser, magnetico o standard). Consente di risparmiare tempo e munizioni ed è il sistema utilizzato più di frequente dagli armaioli. Il secondo metodo è il puntamento del calibro tradizionale.

METODO DI PUNTAMENTO DEL CALIBRO

1. Sistemare un bersaglio a una distanza compresa tra 25 e 50 iarde.
2. Rimuovere la sicura dal fucile.
3. Posizionare il fucile su sacchi di sabbia o su un'apposita base di appoggio.
4. Impostare il cannocchiale sul valore di ingrandimento minimo.
5. Guardare attraverso il calibro del ricevitore e regolare la posizione del fucile in modo da centrare il bersaglio nel calibro (Fig. A).
6. Senza spostare il fucile, guardare nel cannocchiale e osservare la posizione del reticolo sul bersaglio. Regolare le manopole di alzo e deriva per centrare il reticolo con il centro del bersaglio (Fig. B).

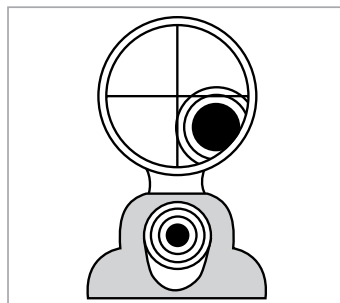


Fig. A
Reticolo non allineato

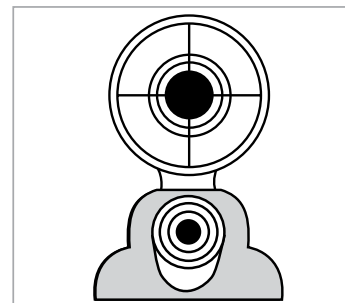


Fig. B
Reticolo allineato

PUNTAMENTO FINALE

AVVERTENZA: POICHÉ LA PROCEDURA PREVEDE ESERCITAZIONI A FUOCO, DEVE ESSERE ESEGUITA IN UN POLIGONO AUTORIZZATO O IN UN'ALTRA ZONA SICURA. CONTROLLARE CHE IL CALIBRO NON SIA OSTRUITO. UN CALIBRO OSTRUITO PUÒ PROVOCARE LESIONI ALL'UTILIZZATORE E AD ALTRI NELLE VICINANZE. SI RACCOMANDA DI UTILIZZARE PROTEZIONI VISIVE E ACUSTICHE.

1. Da una posizione di tiro stabile sparare due o tre colpi a un bersaglio a 100 iarde di distanza. Osservare l'impatto del proiettile sul bersaglio e regolare le manopole di alzo e deriva di conseguenza.
2. Per spostare l'impatto del proiettile, modificare le regolazioni per il vento laterale e/o l'altezza nella direzione della ghiera corrispondente al punto di impatto sul bersaglio (ad esempio, se il punto di impatto dei colpi di prova è basso, regolare l'altezza verso il basso). Le regolazioni sul modello di cannocchiale da puntamento vengono indicate in MOA (minuti d'arco) e il punto di impatto a 100 iarde verrà modificato di 1/4 di MOA per ciascuno scatto della regolazione del vento laterale o dell'altezza. Una completa rotazione nella regolazione corrisponde a 15 MOA.
3. Quando l'impatto sul bersaglio a 100 iarde è soddisfacente, passare a un bersaglio posto alla distanza desiderata per l'azzeramento finale. Impostare l'ingrandimento sul valore desiderato sui modelli a ingrandimento variabile.

CURA DEL CANNOCCHIALE DA PUNTAMENTO

Il cannocchiale richiede una manutenzione minima. Tenere pulite le superfici in metallo esterne. Nella maggior parte dei casi è sufficiente una spolverata con un panno morbido leggermente inumidito.

Il nuovo cannocchiale è dotato di torrette di alzo e deriva completamente sigillate a protezione dalle infiltrazioni di acqua. Tuttavia si consiglia di lasciare i cappucci di alzo e deriva sulle torrette, a eccezione di quando si apporta una regolazione, per impedire l'accumulo di polvere e sporcizia nell'area delle torrette.

Si consiglia inoltre di riporre i coprilente quando non si utilizza il cannocchiale. Controllare le lenti regolarmente e tenerle sempre pulite. La polvere, lo sporco e le impronte digitali che si accumulano sulla superficie delle lenti compromettono seriamente la qualità dell'immagine. Se non si puliscono le lenti per lunghi periodi, il rivestimento antiriflesso potrebbe danneggiarsi. Sebbene non sia difficile pulire le lenti, sono necessarie cura e pazienza.

- Iniziare con una spazzola per lenti o un piccolo pennello con setole morbide. Rimuovere delicatamente le particelle di sporco.
- Quindi utilizzare una siringa o un aspiratore a bulbo per orecchie (disponibile nella maggior parte delle farmacie) per soffiare lo sporco o la polvere rimanente via dalla superficie delle lenti.
- Per una pulizia più approfondita utilizzare un morbido panno asciutto, privo di lanugine. Pulire le lenti con molta delicatezza: iniziare dal centro e, con un movimento circolare, spostarsi verso l'esterno.
- Se il problema persiste, ripetere la procedura usando il fiato.

ALTITUDINE E TEMPERATURA

Nelle tabelle balistiche pubblicate dai produttori di munizioni si fa riferimento al livello del mare standard. Durante il puntamento si consiglia di tenere a mente che l'altitudine e la temperatura influenzano la traiettoria. È meglio eseguire il puntamento nelle stesse condizioni in cui si andrà a caccia.

CONTROLLO DEL CANNOCCHIALE PRIMA DELLA MANUTENZIONE

Prima di spedire il cannocchiale per la manutenzione, effettuare i seguenti controlli per determinare se il problema riguarda effettivamente lo strumento.

- Controllare che il sistema e gli anelli di montaggio non siano allentati o disallineati.
- Controllare che la canna e l'azione siano posizionati correttamente e che le viti del ricevitore siano strette.
- Controllare che sul sistema di montaggio vi sia una distanza sufficiente tra la campana dell'obiettivo e la canna.
- Controllare che le munizioni utilizzate siano dello stesso tipo e dello stesso peso di quelle impiegate per il puntamento.

SPECIFICA TECNICA

SKU	INGR. X DIAM. OBIETT.	RETICOLO	REGOLAZIONE DELL'ALZO	REGOLAZIONE DELLA DERIVA	REGOLAZIONE DELLA TORRETTA	ESTRAZIONE PUPILLARE (MM)	CAMPO VISIVO FT @ 100 YDS	LUNGHEZZA (IN/MM)	PESO (OZ/G)
SPTA432	4x32	Simmons Truplex	60 MOA	60 MOA	1/4 MOA	85	26	12.5/353.5	9.2/233.7
SPTA2732	2-7x32	Simmons Truplex	60 MOA	60 MOA	1/4 MOA	80-1-5	14-46	11.3/287	14.8/419
SPTA3940	3-9x40	Simmons Truplex	60 MOA	60 MOA	1/4 MOA	78-91	13-38	12.9/330	17.7/501

GARANZIA LIMITATA A VITA SIMMONS

Tutti i prodotti Simmons sono progettati per soddisfare le aspettative dell'utilizzatore e realizzati per resistere alle condizioni degli spazi aperti per tutta la vita del prodotto. Se il nostro prodotto non funziona a dovere, ci faremo carico della sua riparazione gratuitamente. Se non è possibile riparare il prodotto, lo sostituiamo con un prodotto di valore uguale o superiore. Non è richiesta nessuna ricevuta e la garanzia è pienamente trasferibile.

*Tutti i prodotti Simmons® sono coperti da una garanzia limitata per difetti nella lavorazione e nei materiali. La durata del prodotto è definita in 30 anni per i cannocchiali da puntamento, 20 anni per binocoli e spotter e 5 anni per componenti elettro-ottici e elettronici (telemetri laser, mirini a punto rosso e mirini reflex). La data di inizio del periodo di copertura è determinata dalla prova di acquisto o dalla data di produzione del prodotto. Questa garanzia non copre danni estetici, danni causati dalla mancata corretta manutenzione del prodotto, perdita, furto, danni a seguito di riparazione, modifica o smontaggio non autorizzati, danni intenzionali, uso improprio o abuso. La presente garanzia decade se la data impressa o altri codici di serializzazione sono stati rimossi dal prodotto. Possiamo sostituire il prodotto con un prodotto simile o migliore a nostra discrezione.

Come posso richiedere assistenza per un prodotto in garanzia?

Per poter usufruire della garanzia non è necessario presentare alcuna ricevuta, registrazione del prodotto, né alcun certificato di garanzia. Tutte le richieste devono essere presentate entro il periodo di garanzia indicato nel manuale del prodotto. RESI PER STATI UNITI E CANADA: Se si ritiene che la propria richiesta rientri nel periodo di garanzia indicato, chiamare il numero 1-800-423-3537 o inviare un messaggio tramite il nostro modulo di contatto e faremo del nostro meglio per risolvere qualsiasi problema.

©2024 Simmons Optics
Simmons,™, ®, indicano marchi registrati di Simmons Optics
www.simmonsoptics.com
22.101 W. 167th St., Olathe, KS 66.062