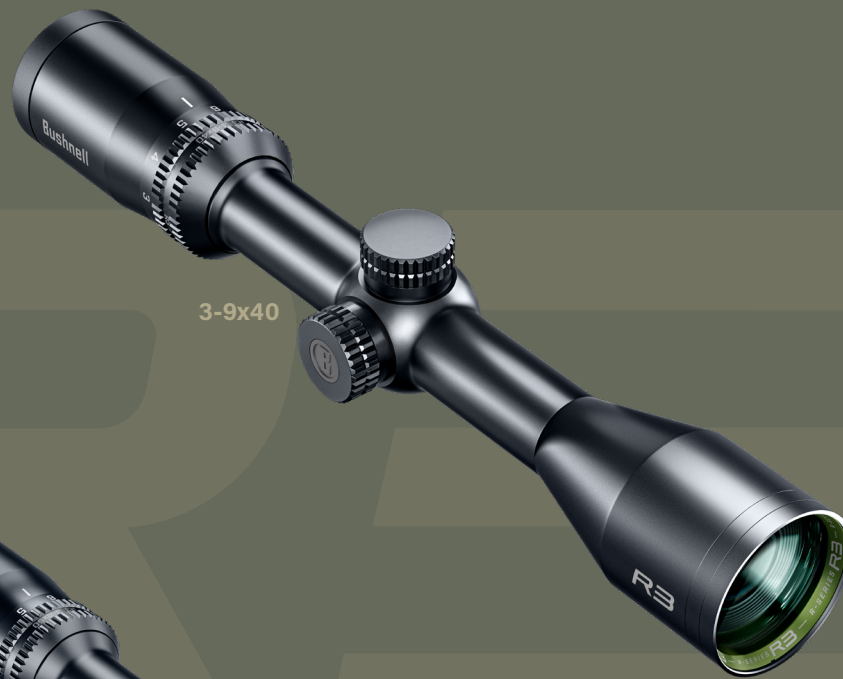


# Bushnell®

R-SERIES  
**R3**



3-9x40



3-9x50

## RIFLESCOPE OWNER'S GUIDE

Model # R3-3940S3 & R3-3950S3

08-24



**BUILT FOR THE PURSUIT**

Click on each topic in the Table of Contents to go directly to it.

## TABLE OF CONTENTS

KEY ELEMENTS OF A RIFLESCOPE	3
MOUNTING YOUR RIFLESCOPE	4
PRELIMINARY SCOPE ADJUSTMENTS - SETTING THE DIOPTER	4
ATTACHING A MOUNT, RINGS AND SCOPE TO YOUR RIFLE	4
PARALLAX	5
PRELIMINARY SIGHTING-IN	5
FINAL SIGHTING-IN	5
RESETTING THE TURRET KNOBS	5
MULTI-X RETICLE	6
STORAGE	6
CARING FOR YOUR RIFLESCOPE	6
TECHNICAL SPECIFICATIONS	6
GLOSSARY OF COMMON RIFLESCOPE TERMS	7
WARRANTY	8
MAINTENANCE	8
<b>LANGUAGE</b>	
FRANÇAIS	9
ESPAÑOL	14
DEUTSCH	19
ITALIANO	24

## YOU'VE MADE THE RIGHT DECISION BY CHOOSING THE BUSHNELL R3 RIFLESCOPE!

Bushnell® is constantly at the forefront of quality and value, and R3 Series riflescopes are no exception. Bushnell R3 riflescopes are built with premium technology. Multi-coated lenses and dry nitrogen purged IPX7 construction offer crisp, bright images in any environment.

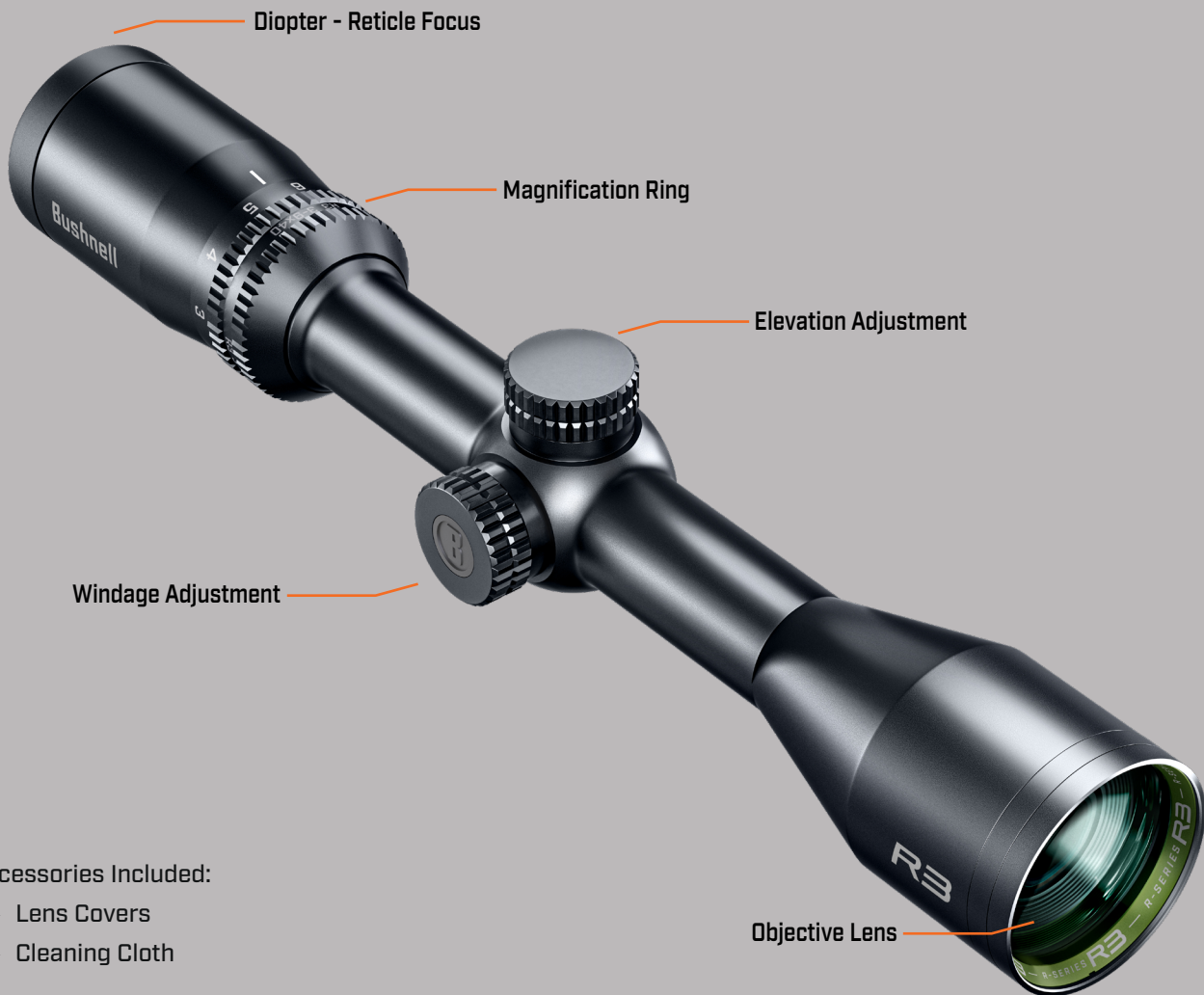
All exterior lens surfaces have our EXD Barrier™ coating (in addition to multi-coating). EXD Barrier, quite simply, is the best protective lens coating technology Bushnell has ever developed. Added at the end of the coating process, EXD Barrier molecularly bonds to the lens and fills the microscopic pores in the glass. The result is an ultra-slick coating that repels water, oil, fog, dust and debris - rain, snow, fingerprints and dirt will not stick. EXD Barrier is built to last: the bonded coating will not fade with the passage of time or normal wear and tear.

Scan the code to download the free Bushnell Ballistics App. The Bushnell Ballistics App is a full-featured ballistics solver to use with your Bushnell rangefinders and riflescopes to calculate firing solutions. It allows you to use current atmospheric conditions to calculate the holds and display the ranges at each subtension on your reticle. Many more features to enhance your shooting experience.



## PARTS GUIDE

\*Model 3-9x40 shown below



### Accessories Included:

- > Lens Covers
- > Cleaning Cloth



**WARNING: NEVER LOOK AT THE SUN THROUGH THE RIFLESCOPE (OR ANY OTHER OPTICAL INSTRUMENT). IT MAY PERMANENTLY DAMAGE YOUR EYES.**

### KEY ELEMENTS OF A RIFLESCOPE

1. **Objective Lens:** This lens has three functions. First, it permits light to pass into the scope. Second, it determines resolution. Generally, larger lenses allow more light to enter the scope and resolve details better than smaller ones. Finally, it forms an image for the other lenses to magnify to a usable size. The image formed by this lens is upside down.
2. **Erector System:** The erector system serves several functions. Its primary function is to erect the image (that is, flips the image right-side up) and align it to the reticle. During this process, primary magnification of the image takes place. These two functions are the result of lens action.
3. **Windage & Elevation Controls:** The erector lenses are housed in a tube that is fixed at one end, while the other end of the tube is free to move and respond to adjustments. By moving the erector system, the point-of-aim of the scope is adjusted to match the point-of-impact of the bullet.
4. **Reticle:** In simple terms, the aiming device around which the scope is built. This element replaces the iron sight system of non-scoped rifles.
5. **Ocular or Eye Lens:** This element provides the secondary and final magnification of the image.

## MOUNTING YOUR RIFLESCOPE

Your new scope, even with its technologically advanced design and features, will not perform at its best if not properly mounted. One of the most important contributing factors to the precision of your scope and rifle is the selection of the mount and the care with which mounting is done. Dependable mounts that attach your scope securely to the rifle will reward you with precision and repeatability. You should take as much care in selecting a mounting system as you did in selecting your scope.

Remember, not all scopes are compatible with all mounts on all rifles. If there is any doubt in your mind, you should seek the advice of your local retailer or gunsmith.



**WARNING: A RIFLESCOPE SHOULD NEVER BE USED AS A SUBSTITUTE FOR EITHER A BINOCULAR OR SPOTTING SCOPE. IT MAY RESULT IN YOU INADVERTENTLY POINTING THE FIREARM AT ANOTHER PERSON.**

## PRELIMINARY SCOPE ADJUSTMENTS - SETTING THE DIOPTER



**WARNING: DO NOT LOOK TOWARDS THE SUN WHILE SETTING THE DIOPTER!**

Before installing the scope, we recommend you set the diopter adjustment to fit your individual eyesight. Refocusing the diopter will result in a sharper reticle focus, an improved optical image, and will help to avoid eye fatigue when using the scope for prolonged periods of time. To refocus, hold the scope about 3 to 4 inches from your eye and point at a flatly lit area such as a light colored painted wall.

Quickly glance into the scope. If the reticle appears blurred at first glance, it is out of focus. Turn the eyepiece clockwise or counter clockwise while looking into the scope until reticle sharpness is improved. Look away from the eyepiece for a couple of seconds and then glance into the scope again to check the sharpness of the reticle. Remember to take quick glances, as the eye will compensate for slightly out of focus conditions with prolonged looks. If the reticle does not appear in focus right away, continue to make fine adjustments. Repeat this procedure until the reticle is sharp and clearly defined right away when looking into the scope.

Unless your eyes undergo a significant change over the years, you will not have to make this adjustment again.

## ATTACHING A MOUNT, RINGS AND SCOPE TO YOUR RIFLE



**WARNING: BEFORE BEGINNING THE MOUNTING PROCEDURE, BE SURE THE ACTION IS OPEN, THE CLIP OR MAGAZINE IS REMOVED AND THE CHAMBER IS CLEAR. DO NOT ATTEMPT ANY WORK UNTIL YOUR FIREARM HAS BEEN CLEARED AND DETERMINED TO BE SAFE.**



**WARNING: IF THE SCOPE IS NOT MOUNTED FAR ENOUGH FORWARD, ITS REARWARD MOTION MAY INJURE THE SHOOTER WHEN THE RIFLE RECOILS.**

In mounting your scope, we recommend that you DO NOT take short cuts as it may lead to damage to either the mounting system or to the scope. Each mounting system will have its own instructions to follow, and it is best to read the instructions first to be sure you understand them and have the necessary tools on hand.

We further recommend that you plan to go through the mounting procedure twice. The first time, to be sure everything fits together and functions properly. On the first run through, please keep the following in mind:

- › Before attaching the base, clean the mounting holes in the receiver and the threads of the attaching screws with high concentrate rubbing alcohol or any good solvent to free them of oil or grease.
- › If the mount manufacturer has recommended the use of a thread adhesive, do not use it on the first mounting trial. Once adhesive has set, it is difficult to demount if anything needs correction and will leave residue.
- › Be sure the mounting screws do not protrude into the receiver.
- › When using dovetail, twist-in or twist-and-lock ring mounts, do not use the scope as a lever when installing the scope. The initial resistance to turning may cause damage to the scope and is not covered by the warranty. We recommend using a wooden dowel or metal cylinder to seat the rings.
- › Be sure the position of the scope does not interfere with the operation of the action.
- › Be sure there is at least 2mm of clearance between the edges of the rings and any protruding surfaces such as the turret housing (saddle), power selecting ring, and the flare of the objective bell. Also be sure there is at least 3mm of clearance between the objective bell and the barrel.
- › You should test position the scope for the proper eye relief. The scope rings should be left loose enough so that the scope will slide easily. Variable power scopes should be set at the highest magnification when performing this procedure. Mount scope onto the rifle and look through the scope in your normal shooting position.
- › Test position the rifle for the proper cheek welds several times to ensure that your scope is positioned properly.
- › When you are satisfied that everything is okay, mark relative positions with masking tape or similar, demount and start again. This time, seat all screws firmly.
- › The use of a torque wrench is recommended to ensure adequate fastening without over-tightening. Refer to the base and rings user-instructions for torque values.

## PARALLAX

You may have noticed that placing your eye at different positions behind the scope's eyepiece causes the reticle crosshairs to appear to move around to different points on your target. This is called "parallax error" (target and reticle are not in the same focal plane), and it becomes more noticeable (and more of a problem) at shorter distances and/or when the scope is set to higher powers. The R3 riflescopes covered in this manual have their focus set to 100yds however, they will still perform at other distances with minimal parallax error.

## PRELIMINARY SIGHTING-IN

You can save a significant amount of expense and frustration by pre-sighting the scope to the rifle before you take it to the range for zeroing.

There are two basic methods that can be used for pre-sighting your scope. Method one is to use a Bushnell® Bore Sighter (laser, magnetic or standard). The use of a Bore Sighter saves time and ammunition and is the system most often used by gunsmiths. The second method is traditional bore sighting:

### BORE SIGHTING METHOD

1. If a rimfire rifle application, place a target at 25 to 50 yards. If it is a centerfire rifle, place the target at 50 to 100 yards.
2. Remove the bolt from the rifle.
3. Place the rifle on sandbags or a shooting rest.
4. Set the scope to its lowest magnification.
5. Peer through the bore from the receiver and adjust the position of the rifle to center the target bull's eye in the bore (Fig. A).
6. Without moving the rifle, look into the scope and note the position of the reticle on the target. Remove the caps from the windage and elevation adjustments. Adjust the windage and elevation adjustments to center the reticle on the bull's eye (Fig. B).

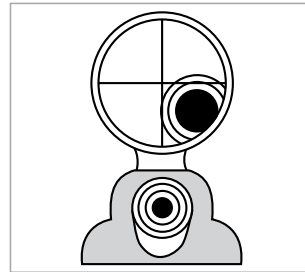


Fig. A  
Reticle not in alignment

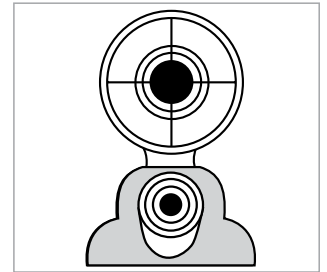


Fig. B  
Reticle in alignment

## FINAL SIGHTING-IN



**WARNING: SINCE THIS PROCEDURE INVOLVES LIVE FIRE, IT SHOULD BE DONE AT AN APPROVED RANGE OR OTHER SAFE AREA. CHECK BORE FOR OBSTRUCTIONS. AN OBSTRUCTED BORE MAY CAUSE INJURY TO YOU AND OTHERS NEARBY. EYE AND EAR PROTECTION IS RECOMMENDED.**

1. From a steady rest position, fire two or three rounds at a 25-50 yard target. Note the impact of the bullet on the target and adjust the windage and elevation dials as needed.
2. To move the bullet's point-of-impact relative to the reticle's point-of-aim, turn the windage and/or elevation adjustments in the direction on the dials that corresponds to the direction that you want the point-of-impact to change to on the target (for example, if test shots are hitting low, adjust the elevation direction "up"). The adjustments on your riflescope model are marked in MOA (minutes of arc), and the point of impact at 100 yards will change by 1/4 MOA or approximately 1/4 in. for each click of the windage or elevation adjustment. One full revolution of the adjustment=15 MOA.
3. When the impact on the initial target distance is satisfactory, switch to a target set at the desired distance for final zeroing (50 yards is recommended for rimfire applications and 100 yards for centerfire). Set the magnification to the desired power on variable power models.

## RESETTING THE TURRET KNOBS

This step is not necessary, but, for future reference, you may want to realign the zero marks on the turret knobs with the witness marks on the turret bases.

1. Using a jeweler's screwdriver, loosen the two Phillips screws on the turret knob about 1.5 to 2 turns. Take care not to disturb your zero by "losing" a click or two when loosening the screws.
2. Grasp the outer perimeter of the turret knob, by hand, and gently try to rotate it (should freespun). If it does not freespun, then rock or tilt it in a prying motion (by hand, do not use tools) to relieve the friction fit. Once freed, rotate the turret knob until the knob's "0" hashmark aligns with the witness mark on the turret base.
3. Retighten the two screws in the turret knob and reinstall the turret cap.



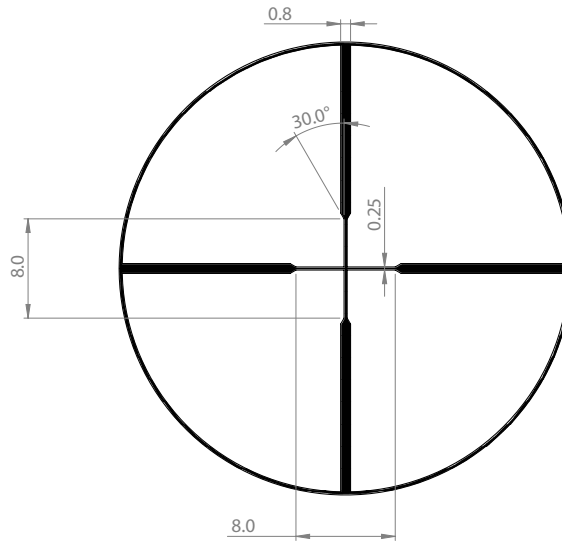
Elevation  
turret knob



Windage  
turret knob

## MULTI-X RETICLE

Calibrated at 9X Magnification Setting  
Dimensions in MOA



## STORAGE

Avoid storing the scope in hot places, such as the passenger compartment of a vehicle on a hot day. The high temperature could adversely affect the lubricants and sealants. A vehicle's trunk, a gun cabinet or a closet is preferable. Never leave the scope where direct sunlight can enter either the objective or the eyepiece lens. Damage may result from the concentration (burning glass effect) of the sun's rays.

## CARING FOR YOUR RIFLESCOPE

Your scope needs very little maintenance. Exterior metal surfaces should be kept clean. A light dusting with a slightly dampened soft cloth is enough in most cases.

Your new scope features windage and elevation turrets that are completely sealed against water intrusion. However, we recommend that you keep the windage and elevation caps on the turrets, except when adjusting, to prevent dust and dirt from collecting in the turret area.

We also recommend that lens covers, or a scope cover of some type, be kept in place when the scope is not being used. Lenses should be inspected regularly and always kept clean. Dust, dirt, and fingerprints that collect on the lens surfaces can degrade image quality, and if left unclean for long periods, the anti-reflection coating could be damaged. Although lens cleaning is not difficult, it does require care and some patience.

- › If there is heavy soiling like from dried mud, low-pressure clean water should be used to flush the debris away.
- › Start with a lens brush or a small, unused soft bristle hobby paintbrush or makeup application brush. Gently whisk away loose dirt particles.
- › Next, use an ear syringe or bulb aspirator (available in most drug stores) to blow remaining dirt or dust from lens surfaces. Do not use pressurized air like from an air duster can or air compressor.
- › If further cleaning is needed, use a dry, soft lint-free cloth. Very gently wipe the lens, starting at the center using a circular motion, then working outward to the edge. If this has not corrected the problem, repeat the process using condensation from your breath.



**WARNING: UNNECESSARY RUBBING OR USE OF A COARSE CLOTH MAY CAUSE PERMANENT DAMAGE TO THE LENS COATINGS.**

## TECHNICAL SPECIFICATIONS

SKU	Mag x Obj. Diam.	Reticle	Turrets	Elevation Travel	Windage Travel	Travel per Rev	Main Tube Diameter (in)	Focus Setting Adjustable 10yds to Infinity	Average Eye Relief (in/mm)	Field of View ft @ 100 yds m@100m	Length (in/mm)	Weight (oz/g)
R3-3940S3	3-9x40	Multi-X	Capped	65 MOA	65 MOA	15 MOA	1	100	3.7/94	39ft@3X - 13ft@9X 10.97m@3X - 4.3m@9X	12.3/313	14.6/415
R3-3950S3	3-9x50	Multi-X	Capped	65 MOA	65 MOA	15 MOA	1	100	3.7/94	34ft@3X - 11ft@9X 11.3m@3X - 3.7m@9X	13.5/344	16.9/480

## GLOSSARY OF COMMON RIFLESCOPE TERMS

**Bullet Drop Compensation - BDC** The principle of interaction between the fired bullet, gravity, and target indicators.

**Centerfire** - Centerfire is a concept relevant to all cartridges, including shot, hand, and rifle weapons. Indicates the point at which the weapon striker hits the bullet base becomes the catalyst that triggers the chain of events that lead to the shot.

**Coatings** - Microscopic coatings on the lens surfaces reduce light loss and glare due to reflection. Coated lenses offer a brighter, higher-contrast image with less eyestrain. More coatings allow better light transmission, but it is possible to have a scope with a single coating to outperform a scope with multicoated lenses greatly. It all depends on the quality of the coatings and the glass. Good quality does not come cheap. The following are acceptable terms for coatings:

- Coated: A single layer on at least one lens surface.
- Fully Coated: A single layer on all air to glass surfaces.
- Multicoated: Multiple layers on at least one lens surface.
- Fully Multicoated: Multiple layers on all air to glass surfaces.

**Click** - A click is one adjustment notch on the windage or elevation turret of a scope. One-click most often changes a scope's point of impact 1/4 inch at 100 yards. Some clicks are 1/8 inch, 1/2 inch, one inch, or even more.

**Eye Relief** - Eye relief is the distance your eye must be from the ocular lens and still get a full field of view. This measurement is usually defined in inches.

**First Focal Plane - FFP** is an indication of the first (focal) plane to the position of the reticle. FFP scopes retain the amount of stretch, while the size of the crosshair of the sight will correlate with the image's magnification.

**Field of View** - Field of view (FOV) is the amount of area seen through your scope from right to left at 100 yards. As magnification is increased, FOV is lessened. As magnification is decreased, FOV is increased.

**Fixed Power** - denotes a fixed magnification of the sight. It does not have a range of power settings from low to high, as the manufacturer sets a constant increase within a certain scaling.

**Magnification** - Also called the power setting or rating, magnification is a power rating that defines how much or far the scope will magnify your sight. Power settings are measured against the naked eye. For example, a 3 power scope would offer the user 3 times the view of what they could see with the naked eye, while a 10 power would mean 10 times the power of the naked eye.

**MIL/MRAD - Milliradians of Angle** - A measurement system is used to determine the correct elevation and windage adjustments to sight in your scope. Typically found on European-based optics.

**Minute of Angle - Minute of Angle (MOA)** is a unit of measurement within a circle and is 1.0472 inches at 100 yards. For all practical purposes, it is called 1 inch at 100 yards. It is 2 inches at 200 yards, 5 inches at 500 yards, one-half inch at 50 yards, etcetera.

MOA is generally the standard for measuring the accuracy of a rifle. A rifle that will shoot a 3 to 5 shot group that measures under an inch, it's considered an MOA shooter. If it groups at 1/2 an inch, it's a sub-MOA shooter.

**MIL vs. MOA:** MIL is a common abbreviated form of milliradians, while MOA is an abbreviation of Minute of Angle. Both are measurements of angle (not distance or length, as some shooters believe). As ranges increase, so does 1 MOA or 1 MIL value. At 100 yards, an MOA is 1.047 inches, so a scope with ¼ MOA per click adjustments should move the point of impact about .25-inches every click at 100 yards (and .50-inches at 200 yards). One MIL is 3.6 inches at 100 yards, and since most MIL scopes have 1/10 click adjustments, each click will adjust the point of impact by .36 inches at 100 yards.

**Objective Lens** - The objective lens is the lens closest to the object being viewed. It is measured in millimeters in diameter. A larger objective lens allows more light to enter the scope.

**Parallax** - Parallax is an optical error or illusion typically found in scopes designed for longer ranges. Without getting overly technical, parallax occurs when the optical image that you see through the scope is created in front of behind the reticle. This means that the target you are looking at isn't being correctly portrayed in its actual location. Some scope models feature a parallax compensation feature built-in to correct this issue. The most popular parallax compensation seen today is either through a front objective lens or side focus parallax. With these features, the shooter can adjust the distance (typically in yards) to the target, and the scope is preset to be parallax-free at those predefined distances. Most riflescopes without adjustable objectives are set at 100 or 150 yards. Rimfire scopes are often set at 50 or 60 yards, and shotgun scopes are often set at 60 or 75 yards.

**Point of Aim (POA)** - an auxiliary mark or marker at which a target shooter sights the firearm so as to achieve correct elevation.

**Reticle** - Reticle refers to the sighting device used for a specific scope. A reticle is a system of lines, dots, or crosshairs in your scope that appear superimposed on your target. Reticles come in various variations and configurations, designed for very specific uses.

**Second Focal Plane - SFP** can be used interchangeably with the rear focal plane. This more commonly used design has crosshairs that remain the same size as magnification increases. Due to this system, the suspension is constantly changing as the target gets larger or smaller in size as you change the power. (See also Subtension)

**Trajectory** - The trajectory is the flight of your projectile after it leaves the barrel. This flight is an arc. The amount of arc depends on the projectile weight and velocity.

**Turret** - A turret is one of two knobs in the outside center part of the scope tube. They are marked in increments and are used to adjust elevation and windage for points of impact change. These knobs protrude from the turret housing.

**Variable Power** - This means the riflescope's magnification is not fixed; it's variable. It can range from as low as 1.5-4X or as high as 6-24X in a rifle scope, and sometimes even higher. The most common variable power specs for a hunter are the popular 3-9X.

**Windage** - This is the horizontal crosshair of the reticle.

**Zero** - Zero is the distance you are sighted in and references the flight of the projectile. For example, if you are sighted in at 200 yards, you have a 200 yard zero.



## MAINTENANCE

Your riflescope, though amazingly tough, is a precision instrument that deserves reasonably cautious care.

- › When cleaning the lenses, first blow away any dry dirt and dust, or use a soft lens brush. Fingerprints and lubricants can be wiped off with lens tissue, or a soft clean cloth, moistened with lens cleaning fluid.
- › All moving parts of the scope are permanently lubricated. Do not try to lubricate them.
- › Little to no maintenance is needed for the scope's outer surface. Black oxide screws are sometimes used to seal purge ports and/or for the powerchange-ring to erector connection. If the scope is exposed to water, consider applying a thin film of typical firearm oil to these screws during routine firearm maintenance to mitigate corrosion.
- › Use lens covers, if available and whenever convenient.

## ALTITUDE AND TEMPERATURE

Ballistic charts published by ammunition manufacturers are based upon standard sea level conditions. When sighting in, it is well to keep in mind that altitude and temperature affect trajectory. It is best to sight-in under the same conditions in which you will be hunting.

[Click to read Warranty Details](#)

## NO MATTER WHAT

Warranty does not cover theft, loss, deliberate damage, or cosmetic damage not affecting product Performance.

Valid in the United States and Canada Only/Valable aux États-Unis et au Canada Uniquement.

## DO YOU NEED TO SEND YOUR SCOPE TO US?

Before returning your scope for service, you should check the following points to make sure the problem is with the scope:

- › Check the mounting system and rings for looseness or misalignment.
- › Check to be sure the barrel and action are properly bedded, and all receiver screws are tight.
- › Check to be sure the mounting system allows sufficient clearance between the objective bell and the barrel.
- › Check to be sure you are using the same type and weight ammunition that you used for sighting-in.

For assistance with your Bushnell riflescope, contact the US and Canadian customer service team by calling 1-800-423-3537 during the days and times listed below:

- › Monday-Tuesday, 8:00 am to 6:00 pm CST
- › Wednesday-Thursday 8:00 am to 4:30 pm
- › Friday 8AM to 2PM

If you are calling with a product related issue, please have the product available when you call.

©2024 Bushnell Outdoor Products  
Bushnell,™, ®, denote trademarks of Bushnell Outdoor Products  
www.bushnell.com  
22101 W. 167th St., Olathe, KS 66062



## GUIDE DES PIÈCES

\*Modèle 3-9x40 illustré ci-dessous



## Accessoires inclus :

- > Couvre-lentilles
- > Chiffon de nettoyage

## VOUS AVEZ FAIT LE BON CHOIX EN CHOISISSANT LA LUNETTE DE VISÉE BUSHNELL R3 !

Bushnell® est constamment à la pointe de la qualité et du rapport qualité-prix, et les lunettes de visée de la série R3 ne font pas exception. Les lunettes de visée Bushnell R3 sont le résultat d'une technologie de pointe. Les lentilles multi-couches et la construction IPX7 purgée à l'azote sec offrent des images nettes et lumineuses dans n'importe quel environnement.

Toutes les surfaces extérieures des lentilles sont recouvertes de notre revêtement EXD Barrier™ (outre le multi-revêtement). EXD Barrier est tout simplement la meilleure technologie de revêtement protecteur pour lentilles que Bushnell ait jamais développée. L'EXD Barrier est ajouté à la fin du processus de revêtement. Il se lie moléculairement à la lentille et remplit les pores microscopiques du verre. Cela donne un revêtement ultra-glissant qui repousse l'eau, l'huile, la buée, la poussière, les débris, la pluie, la neige, les empreintes digitales et la saleté qui ne s'y collent pas. EXD Barrier est conçu pour durer : le revêtement lié ne se décolore pas avec le temps ou l'usure normale.

Scannez le code pour télécharger gratuitement l'application Bushnell Ballistics. L'application Bushnell Ballistics est un solveur balistique complet pour calculer les solutions de tir avec vos télémètres et lunettes de visée Bushnell. Elle vous permet d'utiliser les conditions atmosphériques actuelles pour calculer les positions de maintien et afficher les distances à chaque subtension sur votre réticule, ainsi que de nombreuses autres fonctionnalités pour améliorer votre expérience de tir.



 **VERTISSEMENT : NE JAMAIS REGARDER LE SOLEIL À TRAVERS LA LUNETTE DE VISÉE (OU TOUT AUTRE INSTRUMENT OPTIQUE). CELA POURRAIT ENTRAÎNER DES LÉSIONS OCULAIRES IRRÉVERSIBLES.**

## ÉLÉMENTS PRINCIPAUX D'UNE LUNETTE DE VISÉE

1. Lentille d'objectif : La lentille d'objectif a trois fonctions. La première, permettre à la lumière de passer dans la lunette. La deuxième, déterminer la résolution. Généralement, plus la lentille est grande, plus elle laisse pénétrer de lumière dans la lunette, permettant un meilleur discernement des détails. Et la troisième, former une image que les autres lentilles grossissent à une taille utilisable. L'image formée par cette lentille est à l'envers.
2. Système érecteur : Le système érecteur remplit plusieurs fonctions. Sa fonction principale consiste à ériger l'image (c'est-à-dire, à retourner l'image dans le bon sens) et à l'aligner sur le réticule. Pendant ce processus a lieu le grossissement principal de l'image. Ces deux fonctions sont le résultat de l'action de l'objectif.
3. Commandes de l'élévation et de la dérive : Les lentilles érectrices sont logées dans un tube fixé à une extrémité. L'autre extrémité du tube est mobile et peut répondre aux réglages de la tourelle de dérive ou d'élévation. En déplaçant le système érecteur, le point de visée de la lunette est ajusté afin de correspondre au point d'impact de la balle.
4. Réticule : Le réticule est tout simplement le dispositif de visée autour duquel est construite la lunette. Cet élément remplace le système de vue en fer des fusils sans lunette.
5. Oculaire ou œilleton : Cet élément fournit le grossissement de l'image secondaire et final.

## MONTAGE DE LA LUNETTE DE VISÉE

En dépit de sa conception et de ses fonctionnalités technologiquement avancées, sans un montage correct, la lunette de visée n'offrira pas d'utilisation optimale. L'un des facteurs importants les plus déterminants pour obtenir une précision de la lunette et du fusil est le choix du support et le soin apporté au montage. Des supports solides permettant une fixation sécurisée de la lunette sur le fusil offrent fiabilité et précision. Il convient d'accorder autant d'attention à la sélection d'un système de montage qu'au choix de la lunette de visée.

Point important : toutes les lunettes ne sont pas compatibles avec tous les supports sur tous les fusils. En cas de doute, demander conseil à un revendeur ou armurier local.

 **AVERTISSEMENT : NE PAS UTILISER UNE LUNETTE DE VISÉE EN REMPLACEMENT DE JUMELLES OU D'UN TÉLESCOPE D'OBSERVATION. L'ARME POURRAIT ACCIDENTELLEMENT ÊTRE POINTÉE VERS UNE AUTRE PERSONNE.**

## RÉGLAGES PRÉLIMINAIRES DE LA LUNETTE DE VISÉE - REGLAGE DU DIOPTRE


 **AVERTISSEMENT : NE PAS REGARDER VERS LE SOLEIL PENDANT LE RÉGLAGE DU DIOPTRE!**

Avant d'installer la lunette de visée, nous vous recommandons de régler le dioptre afin qu'il corresponde à votre vision individuelle. Remettre au point le dioptre augmente la netteté de la mise au point du réticule, améliore la qualité optique et contribue à éviter la fatigue oculaire lors d'une utilisation prolongée de la lunette de visée. Pour effectuer une remise au point, maintenir la lunette à environ 3 à 4 pouces de l'œil et pointer vers une zone présentant un éclairage uniforme, par exemple un mur de couleur claire.

Jeter un coup d'œil rapide dans la lunette. Si le réticule apparaît flou au premier coup d'œil, une mise au point s'impose. Tourner l'oculaire dans le sens des aiguilles d'une montre ou dans le sens inverse des aiguilles d'une montre jusqu'à amélioration de la netteté de la lunette de visée. Détourner le regard quelques secondes de l'oculaire, puis regarder à nouveau dans la lunette de visée afin de vérifier la netteté du réticule. Ne pas oublier de jeter des coups d'œil rapides, car l'œil compense naturellement les conditions légèrement floues par des regards prolongés. Si le réticule n'apparaît pas net tout de suite, continuer à effectuer des réglages plus précis. Répéter cette procédure jusqu'à ce que le réticule soit net et clairement défini lorsque l'on regarde dans la lunette.

À moins de subir un changement radical de la vue au fil des ans, ce réglage ne devra pas être effectué de nouveau.

## FIXATION D'UN SUPPORT, DE BAGUES ET D'UNE LUNETTE DE VISÉE À L'ARME À FEU

 **AVERTISSEMENT : AVANT DE COMMENCER LA PROCÉDURE DE MONTAGE, ASSUREZ-VOUS QUE L'ACTION EST OUVERTE, QUE LE CHARGEUR OU LE MAGASIN EST RETIRÉ ET QUE LA CHAMBRE EST VIDE. N'ESSAYEZ AUCUNE MANIPULATION AVANT D'AVOIR VÉRIFIÉ QUE VOTRE ARME EST DÉCHARGÉE ET SÛRE.**

 **AVERTISSEMENT : SI LA LUNETTE N'EST PAS MONTÉE ASSEZ EN AVANT, SON MOUVEMENT VERS L'ARRIÈRE PEUT BLESSER LE TIREUR LORS DU REcul DU FUSIL.**

Lors de l'installation de la lunette, nous recommandons de ne PAS sauter d'étapes, sous peine d'endommager le système de montage ou la lunette. Chaque système de montage comporte ses propres instructions qu'il convient de suivre et il est préférable de commencer par lire les instructions pour s'assurer de les comprendre et de disposer des outils nécessaires à portée de main.

Nous recommandons en outre d'effectuer deux fois la procédure de montage. La première fois, pour s'assurer que toutes les pièces sont bien installées et fonctionnent correctement. Au premier passage cependant, garder à l'esprit les points suivants :

- > Avant de fixer la base, nettoyer les trous de montage dans le récepteur et les filets des vis de fixation avec de l'alcool à friction ou tout autre solvant efficace à forte concentration pour retirer l'huile ou la graisse éventuellement présente.

- › Si le fabricant du support recommande une colle à filetage, ne pas l'utiliser lors du premier essai de montage. Une fois que la colle prend, il est difficile de démonter l'ensemble si une pièce doit être corrigée et un résidu sera laissé.
- › Vérifier que les vis de montage ne dépassent pas dans le récepteur.
- › Lors de l'utilisation d'une queue d'aronde ou de bagues de montage à vis ou à verrou, ne pas utiliser la lunette comme levier lors de son installation. La résistance initiale à la rotation peut endommager la lunette, ce qui n'est pas couvert par la garantie. Nous recommandons l'utilisation d'une cheville en bois ou d'un cylindre métallique pour installer les bagues.
- › Vérifier que la position de la lunette n'interfère pas avec le fonctionnement du mécanisme.
- › S'assurer de disposer au moins d'un jeu de 2 mm entre les extrémités des bagues et les surfaces en saillie, telles que le logement de la tourelle (selle), la bague de sélection de portée et l'évasement du logement de l'objectif. S'assurer également qu'il y a au moins 3 mm de jeu entre le logement de l'objectif et le canon.
- › Tester la position de la lunette pour obtenir un dégagement oculaire adéquat. Les bagues de la lunette doivent être suffisamment lâches pour permettre un coulisement aisé de la lunette. Dans le cadre de cette procédure, les lunettes à grossissement variable doivent être réglées sur le grossissement maximal. Monter la lunette sur le fusil, puis regarder à travers la lunette en position de tir normale.
- › Tester plusieurs fois la position du fusil pour déterminer le bon calage de la crosse contre la joue et afin de s'assurer de la bonne position de la lunette.
- › Si le montage est satisfaisant et que tout est réglé, ajouter des points de repère temporaires avec de l'adhésif ou autre, procéder au démontage et recommencer. Cette fois, serrer fermement toutes les vis.

## PARALLAXE

Vous avez peut-être remarqué qu'en plaçant votre œil à différentes positions derrière l'oculaire de la lunette, les réticules semblent se déplacer vers différents points de votre cible. C'est ce qu'on appelle « l'erreur de parallaxe » (la cible et le réticule ne sont pas dans le même plan focal), on la remarque davantage (et elle est plus problématique) à des distances plus courtes et lorsque la lunette est réglée à des puissances plus élevées. Les lunettes de visée R3 Rimfire couvertes par ce manuel ont leur mise au point réglée à 50 verges ; cependant, elles fonctionneront aussi à d'autres distances avec une erreur de parallaxe minimale.

## RÉGLAGE PRÉLIMINAIRE

Pré-régler la lunette du fusil avant de l'emmener sur le champ de tir pour la mise à zéro peut vous faire économiser des dépenses et des frustrations importantes.

Deux méthodes de base peuvent être utilisées pour pré-régler votre lunette. La première méthode consiste à utiliser un collimateur Bushnell® Bore Sighter (laser, magnétique ou standard). L'utilisation d'un collimateur Bore Sighter permet d'économiser du temps et des munitions et c'est la méthode la plus souvent utilisée par les armuriers. La deuxième méthode est le réglage traditionnel de la visée :

### MÉTHODE DE SIMBLEAUTAGE

1. Placez une cible à 25 - 50 verges.
2. Retirez le verrou du fusil.
3. Placez le fusil sur des sacs de sable ou un support de tir.
4. Réglez la lunette sur son grossissement le plus bas.
5. Regardez à travers le canon depuis le récepteur et ajustez la position du fusil pour centrer le point central de la cible dans le canon (Fig. A).
6. Sans bouger le fusil, regardez dans la lunette et notez la position du réticule sur la cible. Retirez les capuchons des réglages de dérive et d'élévation et ajustez-les pour centrer le réticule sur le point central (Fig. B).

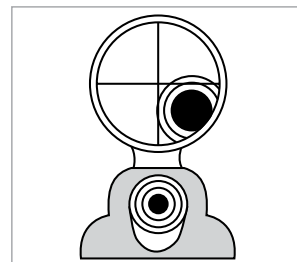


Fig. A  
Réticule non aligné

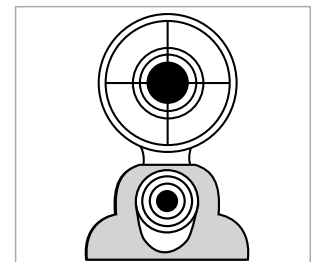


Fig. B  
Réticule en alignement

## RÉGLAGE FINAL DE LA VISÉE



**AVERTISSEMENT : CETTE PROCÉDURE IMPLIQUE L'USAGE DE MUNITIONS RÉELLES, ELLE DOIT DONC ÊTRE EFFECTUÉE DANS UN CHAMP DE TIR APPRUVÉ OU UNE AUTRE ZONE SÉCURISÉE. VÉRIFIEZ QUE LE CANON N'A PAS D'OBSTRUCTION. UN CANON OBSTRUÉ PEUT CAUSER DES BLESSURES À VOUS ET AUX PERSONNES À PROXIMITÉ. IL EST RECOMMANDÉ DE PORTER DES PROTECTIONS DES YEUX ET AUDITIVES.**

1. Tirez deux ou trois coups sur une cible à 25-50 verges depuis une position de repos stable. Notez l'impact des balles sur la cible et ajustez les cadrans de dérive et d'élévation si nécessaire.
2. Afin de déplacer l'impact de la balle, tournez les réglages de dérive et d'élévation dans la direction indiquée sur les cadrans correspondant à l'endroit où le point d'impact tombe sur la cible (par exemple, si les tirs de test sont trop bas, ajustez l'élévation « vers le bas »). Les réglages sur votre modèle de lunette de visée sont marqués en MOA (minutes d'angle), et le point d'impact à 100 verges changera de 1/4 MOA ou environ 1/4 po pour chaque clic du réglage de dérive ou d'élévation. Un tour complet du réglage = 15 MOA.
3. Lorsque l'impact à la distance initiale de la cible est satisfaisant, passez à une cible placée à la distance souhaitée pour le réglage final (50 verges recommandé). Sur les modèles à puissance variable, réglez le grossissement à la puissance souhaitée.

## RÉINITIALISATION DES MOIETTES DE TOURELLES

Cette étape n'est pas nécessaire, mais vous pourriez ultérieurement souhaiter réaligner les repères du zéro des moiettes des tourelles avec les témoins des bases des tourelles.

1. À l'aide d'un tournevis de bijoutier, desserrez les deux vis cruciformes de la molette de la tourelle d'environ 1,5 à 2 tours. Prenez soin de ne pas fausser votre zéro en « perdant » un ou deux clics lorsque vous desserrez les vis.
2. Saisissez à la main la partie extérieure de la molette de la tourelle et essayez de la faire tourner doucement (elle devrait se dégager). Si elle ne tourne pas librement, faites-la osciller vers le haut et vers le bas dans un mouvement de levier (à la main, sans utiliser d'outils) afin de dégager la pièce. Une fois retirée, tournez la molette de la tourelle jusqu'à ce que le repère « 0 » s'aligne sur le repère de la base de la tourelle.
3. Resserrez les deux vis de la molette de la tourelle puis remplacez le couvercle de protection.



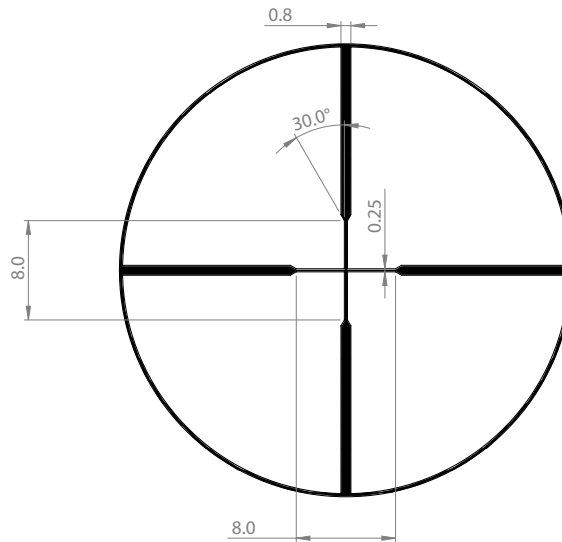
Molette d'élévation  
de la tourelle



Molette de dérive  
de la tourelle

## RÉTICULE MULTI-X

Calibrée à un réglage de grossissement de 9X  
Dimensions en MOA



## STOCKAGE

Éviter de stocker la lunette de visée dans un lieu exposé à des températures élevées, comme la boîte à gants d'un véhicule par fortes chaleurs. La température élevée pourrait endommager les lubrifiants et les produits d'étanchéité. Son rangement dans le coffre d'un véhicule, une armoire à fusils ou un placard est préférable. Ne jamais laisser la lunette de visée dans un endroit où la lumière du soleil directe pourrait pénétrer dans l'objectif ou dans l'oculaire. La concentration (effet de loupe) des rayons du soleil pourrait entraîner des dommages à l'instrument.

## ENTRETIEN DE LA LUNETTE

La lunette de visée ne demande que très peu d'entretien. Les surfaces métalliques extérieures doivent rester propres. Un léger dépoussiérage avec un chiffon légèrement humidifié suffit dans la plupart des cas.

Les tourelles de dérive et d'élévation de la lunette sont entièrement étanches à l'eau. Cependant, nous recommandons de laisser les capuchons sur les tourelles de dérive et d'élévation, sauf pendant les réglages, afin d'empêcher la poussière et la saleté de s'accumuler autour des tourelles.

Nous recommandons également de laisser en place les capuchons d'objectif ou de conserver la lunette de visée dans une housse de protection lorsqu'elle n'est pas utilisée. Les objectifs doivent être inspectés régulièrement et toujours maintenus propres. La poussière, la saleté et les empreintes digitales accumulés sur les surfaces de l'objectif dégradent fortement la qualité d'image ; si l'objectif n'est pas nettoyé pendant de longues périodes, le revêtement anti-reflet est susceptible de s'endommager. Bien que le nettoyage de la lentille n'ait rien de compliqué, il doit être réalisé avec soin et patience.

Si des salissures importantes sont présentes, comme de la boue séchée, utiliser de l'eau propre à basse pression pour rincer la saleté.

Commencer avec une brosse pour instruments optiques ou encore avec un petit pinceau ou brosse de maquillage à poils souples. Brossez délicatement pour éliminer les particules de saleté.

- › Ensuite, utiliser une seringue auriculaire ou une poire d'aspiration (disponible dans la plupart des drogueries) pour éliminer la saleté ou la poussière restante des surfaces de l'objectif.
- › Si un nettoyage plus en profondeur s'avère nécessaire, utiliser un chiffon doux, sec et non pelucheux. Essuyer très délicatement l'objectif depuis le centre jusqu'au bord en effectuant des mouvements circulaires.
- › Si cette opération ne corrige pas le problème, répéter ces étapes en générant une condensation par la respiration.



**ATTENTION : NE JAMAIS UTILISER UNE LUNETTE DE VISÉE EN REMPLACEMENT DE JUMELLES OU D'UN TÉLESCOPE D'OBSERVATION. L'ARME POURRAIT ACCIDENTELLEMENT ÊTRE POINTÉE VERS UNE AUTRE PERSONNE.**

## ENTRETIEN

Bien que très robuste, votre lunette de visée est un instrument de précision qui mérite des soins raisonnablement prudents.

- › Tout d'abord, soufflez toute saleté et poussière sèches lors du nettoyage des lentilles, ou utilisez un pinceau à lentilles doux. Les empreintes digitales et les lubrifiants peuvent être essuyés avec un papier à lentilles ou un chiffon doux humidifié avec du liquide de nettoyage pour lentilles.
- › Toutes les pièces mobiles de la lunette sont lubrifiées de façon permanente. N'essayez pas de les lubrifier.
- › Peu ou pas d'entretien est nécessaire pour la surface extérieure de la lunette. Des vis en oxyde noir sont parfois utilisées pour sceller les orifices de purge et pour la connexion de l'anneau de changement de puissance à l'érecteur. Si la lunette est exposée à l'eau, envisagez d'appliquer un mince film d'huile typique pour armes à feu sur ces vis lors de l'entretien de routine de l'arme pour éviter la corrosion. Utilisez des couvercles de lentille, si disponibles, et chaque fois que possible.

## ALTITUDE ET TEMPÉRATURE

Les diagrammes balistiques publiés par des fabricants de munitions sont basés sur les conditions standard au niveau de la mer. Lors du pointage, il convient de garder à l'esprit que l'altitude et la température affectent la trajectoire. Il est préférable d'effectuer le pointage dans des conditions identiques à celles de la chasse.

## SPÉCIFICATIONS TECHNIQUES

SKU	Grossissement x Diamètre de l'objectif	Réticule	Tourelles	Élévation totale	Dérive totale	Déplacement par révolution	Diamètre du tube principal (en pouces)	Réglage de la mise au point Réglable de 10 mètres à l'infini	Dégagement oculaire moyen (en pouces/mm)	Champ de vision (pieds à 100 verges/m à 100 mètres)	Longueur (en pouces/mm)	Poids (onces/g)
R3-3940S3	3-9x40	Multi-X	Capped	65 MOA	65 MOA	15 MOA	1	100	3.7/94	39ft@3X - 13ft@9X 10.97m@3X - 4.3m@9X	12.3/313	14.6/415
R3-3950S3	3-9x50	Multi-X	Capped	65 MOA	65 MOA	15 MOA	1	100	3.7/94	34ft@3X - 11ft@9X 11.3m@3X - 3.7m@9X	13.5/344	16.9/480

La garantie ne couvre pas le vol, la perte, les dommages délibérés ou les dommages esthétiques n'affectant pas les performances du produit.

Valable aux États-Unis et au Canada Uniquement.

©2024 Bushnell Outdoor Products  
 Bushnell,™, ®, denote trademarks of Bushnell Outdoor Products  
 www.bushnell.com  
 22101 W. 167th St., Olathe, KS 66062

\*El modelo 3-9x40 se muestra a continuación



Accesorios incluidos:

- › Cubiertas para los lentes
- › Tela limpiadora

**¡TOMÓ LA DECISIÓN CORRECTA AL ELEGIR LA MIRA PARA RIFLE BUSHNELL R3!**

Bushnell® está constantemente al frente de la calidad y el valor, y la mira para rifle Serie R3 no es la excepción. La mira para rifle Bushnell R3 está construida con tecnología de la máxima calidad. Los lentes con múltiples recubrimientos y la construcción IPX7 con purga de nitrógeno ofrecen imágenes claras y brillantes en cualquier entorno.

Todas las superficies exteriores de los lentes tienen nuestro recubrimiento EXD Barrier™ [además de múltiples recubrimientos]. Dicho de manera sencilla, la EXD Barrier es la mejor tecnología de recubrimiento protector de lentes desarrollada por Bushnell. La EXD Barrier se agrega al final del proceso de recubrimiento. Se une molecularmente al lente y rellena los poros microscópicos que hay en el vidrio. El resultado es un recubrimiento ultradelgado que repele agua, aceite, neblina, polvo, residuos, lluvia, nieve, huellas digitales y la tierra no quedará adherida. La EXD Barrier está hecha para durar: el recubrimiento adherido no se desvanecerá con el tiempo ni con el uso y desgaste normal.

Escanee el código para descargar la aplicación gratuita Bushnell Ballistics. La aplicación Bushnell Ballistics es un calculadora de balística multifuncional que calcula soluciones de disparo con sus localizadores y miras para rifles. Le permite usar las condiciones atmosféricas actuales para calcular el tiempo de espera y muestra las distancias en cada subtensión de la retícula y muchas funciones más para mejorar su experiencia de tiro.



 **ADVERTENCIA: NUNCA MIRE AL SOL A TRAVÉS DE LA MIRA PARA RIFLE (O CUALQUIER OTRO INSTRUMENTO ÓPTICO. PUEDE DAÑAR PERMANENTEMENTE SUS OJOS.**

### **ELEMENTOS PRINCIPALES DE UNA MIRA PARA TELESCOPIO**

1. Lente objetivo: Este lente tiene tres funciones. Primero, permite que la luz pase hacia la mira. Segundo, determina la resolución. Normalmente, lentes más grandes permiten que más luz ingrese en la mira y resuelve mejor los detalles que otros más pequeños. Finalmente, forma una imagen para que los otros lentes la amplifiquen a un tamaño útil. La imagen formada por este lente está cabeza abajo.
2. Sistema de corrección de imagen: El sistema erector tiene varias funciones. Su función principal es enderezar la imagen (voltearla cabeza arriba) y alinearla con la retícula. Durante este proceso se lleva a cabo la amplificación primaria de la imagen. Estas dos funciones son el resultado de la acción del lente.
3. Controles de elevación y resistencia al viento: Los lentes de corrección de imagen están alojados en un tubo fijo en uno de los extremos, mientras que el otro extremo del tubo está libre para moverse y responder a los ajustes. Al mover el sistema corrector de imagen, el punto de enfoque de la mira se ajusta para coincidir con el punto de impacto de la bala.
4. Retícula: De manera sencilla, es el dispositivo para apuntar alrededor del cual se construye la mira. Este elemento reemplaza la mira de hierro en rifles sin mira.
5. Ocular o lente ocular: Este elemento brinda la amplificación secundaria y final de la imagen.

### **MONTAJE DE SU MIRA PARA RIFLE**

Incluso con su diseño tecnológicamente avanzado y sus funciones, su nueva mira solo se desempeñará de la mejor manera si está montada adecuadamente. Uno de los factores más importantes que contribuyen a la precisión de su mira y del rifle es la selección de la montura y el cuidado con el que se realiza el montaje. Las monturas confiables que ajustan su mira de manera segura al rifle lo recompensarán con confiabilidad y precisión. Ayudaría que sea tan cuidadoso para seleccionar un sistema de montaje como lo hizo al seleccionar su mira.

Recuerde, no todas las miras son compatibles con todas las miras para todos los rifles. Si tiene alguna duda, deberá buscar el consejo de su vendedor o armero local.

 **ADVERTENCIA: NUNCA SE DEBE USAR UNA MIRA PARA RIFLE COMO UN SUSTITUTO DE BINOCULARES O LOCALIZADOR. PODRÍA PROVOCAR QUE INADVERTIDAMENTE APUNTE EL ARMA HACIA OTRA PERSONA.**

### **AJUSTE PRELIMINAR DE LA MIRA - AJUSTE DE LAS DIOPTRÍAS**

Antes de instalar la mira, recomendamos ajustar el ajuste de dioptrías para que se adapte a su vista. Reenfocar las dioptrías resultará en un mejor enfoque de la retícula y una imagen óptica mejorada, y ayudará a evitar la fatiga ocular cuando use la mira durante largos periodos. Para reenfocar, sostenga la mira a unas 3 o 4 pulgadas (7.62 o 10.16 cm) de su ojo y apunta a un área con iluminación pareja como una pared pintada con un color claro.

Mire rápidamente a través de la mira. Si la retícula aparece borrosa a primera vista, está fuera de foco. Gire el ocular en el sentido de las manecillas del reloj o en el sentido contrario mientras mira a través de la mira hasta que se mejore la nitidez de la retícula. Aleje la vista de la mira durante un par de segundos y luego vuelva a mirar a través de ella para verificar la nitidez de la retícula. Recuerde mirar por turnos, ya que el ojo compensará condiciones ligeramente fuera de foco si mira durante periodos largos. Si la retícula no se ve enfocada inmediatamente, siga haciendo ajustes finos. Cuando mire a través de la mira, repita este procedimiento hasta que la retícula esté nítida y definida claramente.

No tendrá que hacer este ajuste otra vez a menos que su vista tenga cambios significativos con los años.

 **ADVERTENCIA: ¡NO MIRE AL SOL MIENTRAS AJUSTA LAS DIOPTRÍAS!**

### **ENSAMBLE DE LA MONTURA, ANILLOS Y LA MIRA EN SU RIFLE**

 **ADVERTENCIA: ANTES DE EMPEZAR EL PROCEDIMIENTO DE MONTAJE, ASEGÚRESE DE QUE LA ACCIÓN ESTÁ ABIERTA, QUE EL CLIP O CARGADOR ESTÉ RETIRADO Y QUE LA CÁMARA ESTÉ VACÍA. NO INTENTE NINGÚN TRABAJO HASTA QUE SU ARMA ESTÉ DESPEJADA Y DETERMINE QUE ES SEGURA.**

 **ADVERTENCIA: SI LA MIRA NO ESTÁ MONTADA LO SUFICIENTEMENTE ADELANTE, EL MOVIMIENTO HACIA ATRÁS PUEDE LESIONAR AL TIRADOR CON EL CULATAZO DEL RIFLE.**

Al montar su mira, le recomendamos NO tomar atajos, ya que esto puede dañar el sistema de montura o la mira. Cada sistema de montaje tiene sus propias instrucciones, y es mejor leerlas primero para asegurarse de comprenderlas y de tener a mano las herramientas necesarias.

Le recomendamos que repase dos veces el procedimiento de montaje. La primera vez para asegurarse de que todo ensambla bien y funciona adecuadamente. Durante el primer repaso, por favor, considere lo siguiente:

- › Antes de ensamblar la base, limpie los agujeros de montaje en el recibidor y las roscas de los tornillos de ensamble con alcohol de alta concentración o cualquier buen solvente para limpiar cualquier resto de aceite o grasa.
- › Si el fabricante de la montura recomienda usar adhesivo para roscas, no lo use en el primer intento de montaje. Una vez que el adhesivo haya hecho efecto, será difícil desmontar la mira si tiene que corregir algo y dejará residuos.
- › Asegúrese de que los tornillos de montaje no sobresalgan del recibidor.
- › No use la mira como palanca cuando la instale usando monturas de cola de paloma, de rotación, o de rotación y anillo de bloqueo. La resistencia inicial del giro puede dañar la mira y no está cubierto por la garantía. Recomendamos usar una clavija de madera o un cilindro de metal para ensamblar los anillos.
- › Asegúrese de que la posición de la mira no interfiere con la operación de la acción.
- › Asegúrese de que haya al menos 2 mm libres entre los bordes de los anillos y cualquier superficie sobresaliente como la carcasa de la torreta (silla), el anillo de selección de potencia y el borde de la campana del objetivo. Además, asegúrese de que haya al menos 3 mm libres entre la campana del objetivo y el barril.
- › Debe probar la posición de la mira para tener la distancia ocular adecuada. Los anillos de la mira deben quedar lo suficientemente sueltos para que la mira se pueda deslizar fácilmente. Al realizar este procedimiento, las miras con potencia variable deben estar ajustadas a la mayor amplificación. Monte la mira en el rifle y mire a través de la mira en su posición normal de disparo.
- › Pruebe varias veces la posición del rifle contra la mejilla para asegurarse de que su mira está bien posicionada.
- › Cuando esté satisfecho de que todo está bien, marque las posiciones relativas con cinta de enmascarar o algo similar, desmonte la mira y vuelva a comenzar. Esta ocasión apriete con firmeza todos los tornillos.

## PARALAJE

Es posible que haya notado que al colocar su ojo en diferentes posiciones detrás del ocular de la mira hace que la cruz en la retícula parece moverse a diferentes posiciones sobre su objetivo. Esto se llama "error de paralaje" (el objetivo y la retícula no están en el mismo plano), y se hace más notorio (y es un problema mayor) a distancias cortas y cuando la mira está ajustada a potencias altas. Las miras R3 para rifles cubiertas en este manual tienen su enfoque ajustado a 50 yardas (45.72 metros); sin embargo, se seguirán desempeñando bien a otras distancias con un error de paralaje mínimo.

## AVISTAMIENTO PRELIMINAR

Hacer un avistamiento preliminar con la mira del rifle antes de llevarlo al campo de tiro para ajustarlo a cero puede ahorrar gastos significativos y frustración.

Se pueden usar dos métodos básicos para hacer avistamientos preliminares con su mira. El método uno es usar un Localizador Bushnell® Bore (láser, magnético o estándar). El uso de un localizador Bore ahorra tiempo y munición, y es el más frecuentemente utilizado por los armeros. El segundo método es el avistamiento por agujero tradicional:

### MÉTODO DE AVISTAMIENTO POR AGUJERO

1. Si se utiliza un rifle de percusión anular, coloque el objetivo entre 25 y 50 yardas. Si se trata de un rifle de percusión central, coloque el objetivo entre 50 y 100 yardas.
2. Retire el cerrojo del fusible.
3. Coloque el rifle sobre una bolsa de arena o un apoyo para rifle.
4. Ajuste la mira a su amplificación más baja.
5. Mire a través del agujero desde el receptor y ajuste la posición del rifle para centrar el centro del objetivo en el agujero (Fig. A).
6. Sin mover el rifle, mire a través de la mira y tome nota de la posición de la retícula sobre el objetivo. Retire las tapas de los ajustes de resistencia al viento y elevación y ajústelos para centrar la retícula en el centro del objetivo (Fig. B).

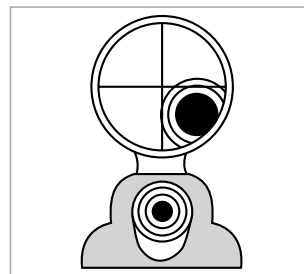


Fig. A  
Retícula no alineada

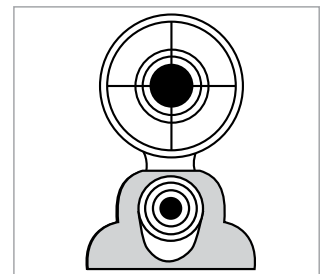


Fig. B  
Retícula alineada

## AVISTAMIENTO FINAL



**ADVERTENCIA: DEBIDO A QUE ESTE PROCEDIMIENTO INVOLUCRA DISPAROS VIVOS, DEBE REALIZARSE EN UN CAMPO DE TIRO APROBADO U OTRA ÁREA SEGURA. REVISE QUE EL AGUJERO NO TENGA OBSTRUCCIONES. UN AGUJERO OBSTRUIDO PUEDE PROVOCAR LESIONES A USTED Y A OTROS QUE ESTÉN CERCA. SE RECOMIENDA USAR PROTECCIÓN PARA LOS OJOS Y LOS OÍDOS.**

1. Dispare dos o tres rondas hacia un objetivo a 25 - 50 yardas (22.86 - 45.72 m) desde una posición estable de descanso. Tome nota del impacto de la bala sobre el objetivo y ajuste las perillas de resistencia al viento y elevación según sea necesario.
2. Para mover el punto de impacto de la bala, gire los ajustes de resistencia al viento y elevación en la dirección sobre las perillas que corresponda al lugar donde el impacto de la bala cayó sobre el objetivo (por ejemplo, si los tiros de prueba están dando abajo, ajuste la elevación hacia "abajo"). Los ajustes en el modelo de su mira para rifle están marcados en MOA (minutos de arco), y el punto de impacto a 100 yardas (91.44 m) cambiará en 1/4 de MOA, o aproximadamente 1/4 de pulgada, por cada clic en el ajuste de resistencia al viento o elevación. Una revolución completa del ajuste = 15 MOA.
3. Cuando el impacto a la distancia inicial del objetivo sea satisfactorio, cambie a un objetivo fijado a la distancia deseada para un ajuste a cero final (se recomienda usar 50 yardas [45.72 m]). En los modelos de potencia variable, ajuste la amplificación a la potencia deseada.



## CÓMO RESTABLECER LAS PERILLAS DE LA TORRETA

Este paso no es necesario, pero, para referencia futura, es posible que desee realinear las marcas cero en las perillas de la torreta con las marcas testigo en las bases de la torreta.

1. Usando un destornillador de joyero, afloje los dos tornillos Phillips de la perilla de la torreta en aproximadamente 1.5 a 2 vueltas. Tenga cuidado de no alterar su cero "perdiendo" uno o dos clics al aflojar los tornillos.
2. Agarre el perímetro exterior de la perilla de la torreta con la mano e intente girarla suavemente (debería girar libremente). Si no gira libremente, muévala o inclínela con un movimiento de palanca (use la mano en vez de herramientas) para aliviar la fricción. Una vez liberada, gire la perilla de la torreta hasta que la marca "0" de la perilla quede alineada con la marca testigo en la base de la torreta.
3. Vuelva a apretar los dos tornillos de la perilla de la torreta y vuelva a instalar la tapa de la torreta.



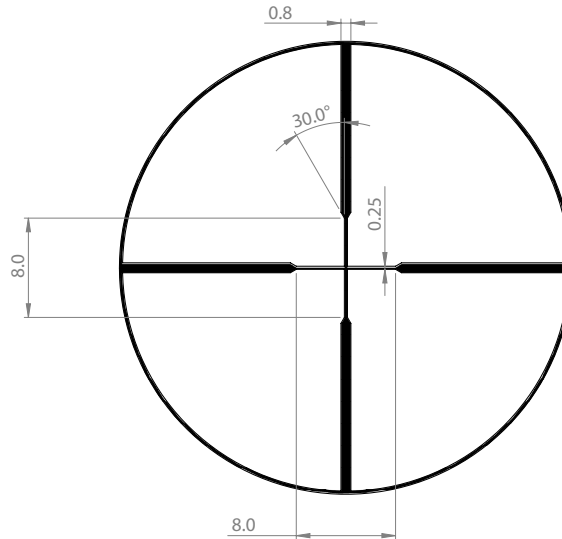
Perilla de la torreta de elevación



Perilla de la torreta de viento

## RETÍCULA MULTI-X

Calibrado con ajuste de aumento de 9X  
Dimensiones en MOA



## ALMACENAMIENTO

Evite almacenar la mira en lugares calientes, como el compartimiento para pasajeros del vehículo en un día caluroso. La temperatura alta puede afectar adversamente los lubricantes y sellos. Es preferible la cajuela del vehículo, un gabinete para armas o un armario. Nunca deje la mira donde la luz directa del sol pueda entrar por el lente objetivo. La concentración de los rayos del sol puede provocar daños (efecto de quemado del vidrio).

## CUIDADO DE SU MIRA PARA RIFLE

Su mira requiere poco mantenimiento. Las superficies metálicas exteriores deben permanecer limpias. Una limpieza ligera con una tela suave ligeramente húmeda normalmente es suficiente.

También recomendamos mantener puesta la tapa del lente o la cubierta de la mira cuando no la está usando. Debe inspeccionar los lentes regularmente y mantenerlos siempre limpios. El polvo, la tierra y las huellas dactilares que se juntan en las superficies de los lentes pueden degradar gravemente la calidad de la imagen y, si se dejan sin limpiar durante largos periodos, se puede dañar el recubrimiento antirreflejante. Aunque la limpieza de los lentes no es difícil, requiere cuidado y paciencia.

- › Si tiene mucha suciedad, como lodo seco, deberá limpiar con agua a baja presión para eliminar los residuos.
- › Empiece con una brocha para lentes o una brocha suave para manualidades o una brocha para la aplicación de maquillaje. Retire las partículas sueltas con brochazos suaves.
- › A continuación, use una jeringa o una pera de aspiración (disponibles en la mayoría de las farmacias) para soplar la suciedad restante o el polvo de la superficie de los lentes.
- › Si requiere más limpieza, use una tela suave sin pelusa y seca. Limpie el lente muy suavemente, empezando por el centro y usando un movimiento circular hacia el borde.
- › Si esto no corrige el problema, repita el proceso usando la condensación de su aliento.



**ADVERTENCIA: FROTAR LOS LENTES INNECESARIAMENTE O EL USO DE UNA TELA GRUESA PUEDE PROVOCAR DAÑOS PERMANENTES A LOS RECUBRIMIENTOS DE LOS LENTES.**

## MANTENIMIENTO

Aunque su mira para rifle es bastante resistente, es un instrumento de precisión que requiere una atención razonable.

- › Primero, sople cualquier suciedad seca y polvo cuando limpie los lentes, o use una brocha suave para lentes. Puede limpiar las huellas dactilares y los lubricantes con tela para lentes o una tela suave humedecida con líquido para limpiar lentes.
- › Todas las partes móviles de la mira están lubricadas de manera permanente. No debe tratar de lubricarlas.
- › La superficie exterior de la mira no requiere mantenimiento. Normalmente se usan tornillos de óxido negro para sellar los puertos de purga y para la conexión entre el anillo de cambio de potencia y el erector. Si la mira fue expuesta al agua, considere aplicar una capa delgada de aceite típico para armas sobre estos tornillos durante el mantenimiento de rutina del arma para mitigar la corrosión.
- › Use las cubiertas de los lentes, si están disponibles, y siempre que sea conveniente.

## ALTITUD Y TEMPERATURA

Las tablas de balística publicadas por los fabricantes de munición se basan en condiciones estándares a nivel del mar. Cuando esté avistando, es bueno recordar que la altitud y la temperatura afectan la trayectoria. Lo mejor es consultarlas bajo las mismas condiciones en la que estará cazando.

## ESPECIFICACIONES TÉCNICAS

SKU	Amp x Diám. Obj.	Retícula	Torretas	Elevación total	Resistencia al viento total	Viaje por revolución	Diámetro del tubo principal (pulg)	Configuración de enfoque Ajustable 10 yardas al infinito.	Distancia promedio entre los ojos (pulg/mm)	Campo de visión ft@100 yds m@100 m	Longitud (pulg/mm)	Peso (oz/g)
R3-3940S3	3-9x40	Multi-X	Capped	65 MOA	65 MOA	15 MOA	1	100	3.7/94	39ft@3X - 13ft@9X 10.97m@3X - 4.3m@9X	12.3/313	14.6/415
R3-3950S3	3-9x50	Multi-X	Capped	65 MOA	65 MOA	15 MOA	1	100	3.7/94	34ft@3X - 11ft@9X 11.3m@3X - 3.7m@9X	13.5/344	16.9/480

La garantía no cubre robo, pérdida, daño deliberado o daño cosmético que no afecte el rendimiento del producto.

Válido sólo en los Estados Unidos y Canada.

©2024 Bushnell Outdoor Products  
 Bushnell,™, ®, denote trademarks of Bushnell Outdoor Products  
 www.bushnell.com  
 22101 W. 167th St., Olathe, KS 66062

## BAUTEILE

\*Modell 3-9x40 unten abgebildet



## Enthaltenes Zubehör:

- > Objektivabdeckungen
- > Reinigungstuch

## MIT DEM ZIELFERNROHR BUSHNELL R3 HABEN SIE DIE RICHTIGE WAHL GETROFFEN!

Was die Qualität und das Preis-Leistungs-Verhältnis angeht, zählt Bushnell® kontinuierlich zu den Spitzenreitern, und die Zielfernrohre der R3-Serie stellen hier keine Ausnahme dar. Bushnells R3-Zielfernrohre sind mit hochwertiger Technologie ausgestattet. Vollständig mehrfachvergütete Linsen und das mit trockenem Stickstoff gespülte IPX7-Design sorgen für gestochen scharfe und helle Bilder in jeder Umgebung.

Alle äußeren Linsenoberflächen sind mit unserer EXO-Barrier™-Beschichtung versehen (und zudem mehrfachvergütet). EXO Barrier ist schlichtweg die beste Technologie zur Beschichtung von Linsen, die Bushnell jemals entwickelt hat. Die EXO Barrier wird am Ende des Beschichtungsverfahrens aufgetragen. Sie verbindet sich auf molekularer Ebene mit der Linse und füllt so die mikroskopisch kleinen Poren im Glas auf. Das Ergebnis ist eine extrem glatte, wasser-, öl-, nebel-, staub- und schmutzabweisende Beschichtung—Regen, Schnee, Fingerabdrücke und Schmutz bleiben nicht haften. Die EXO Barrier ist auf Langlebigkeit ausgelegt: Die Verbundbeschichtung hält sowohl dem Lauf der Zeit wie auch üblichem Verschleiß stand.

Scannen Sie den Code, um die kostenlose Bushnell Ballistics App herunterzuladen. Die Bushnell Ballistics App ist ein umfangreiches Ballistikprogramm zur Berechnung von Schussbahnen für Ihre Entfernungsmesser und Zielfernrohre von Bushnell. Sie ermöglicht es Ihnen, die Haltepunkte anhand der derzeitigen atmosphärischen Bedingungen zu berechnen und sich die Entfernungen für alle Unterteilungen Ihres Fadenkreuzes anzeigen lassen. Außerdem erhalten Sie Zugriff auf viele weitere Funktionen, die Ihr Schießerlebnis verbessern.



 **WARNUNG: SCHAUEN SIE MIT DEM ZIELFERNROHR ODER ANDEREN OPTISCHEN INSTRUMENTEN NIEMALS DIREKT IN DIE SONNE, DA DIES ZU DAUERHAFTEN AUGENSCHÄDEN FÜHREN KANN.**

## **DIE WICHTIGSTEN BAUTEILE EINES ZIELFERNROHRS**

1. **Objektivlinse:** Diese Linse hat drei Funktionen. Erstens lässt sie Licht in das Zielfernrohr eindringen. Zweitens bestimmt sie die Auflösung. Im Allgemeinen lassen größere Linsen mehr Licht in das Zielfernrohr eindringen und lösen Details besser auf, als kleinere Linsen. Drittens erzeugt sie ein Bild, das von anderen Linsen auf ein geeignetes Ausmaß vergrößert werden kann. Das von dieser Linse erzeugte Bild steht auf dem Kopf.
2. **Umkehrsystem:** Dieses System erfüllt mehrere Funktionen. Die Hauptfunktion besteht darin, das Bild mit der richtigen Seite nach oben und am Fadenkreuz auszurichten. Während dieses Vorgangs findet auch ein Großteil der Bildvergrößerung statt. Diese beiden Funktionen sind das Ergebnis der Linsenwirkung.
3. **Höhen- und Seitenverstellungen:** Die Umkehrlinsen sind in einem Rohr untergebracht, das an einem Ende befestigt ist, während sich das andere Ende des Rohrs frei bewegen und so verstellt werden kann. Durch Bewegen des Umkehrsystems werden der Haltepunkt des Zielfernrohrs und der Aufschlagpunkt der Kugel aufeinander abgestimmt.
4. **Absehen:** Einfach ausgedrückt handelt es sich hierbei um die Zielvorrichtung, auf deren Basis das Zielfernrohr aufgebaut ist. Dieses Element ersetzt die offene Visierung von Gewehren ohne Zielfernrohr.
5. **Okular oder Augenlinse:** Dieses Element sorgt für die zweite und letzte Vergrößerung des Bildes.

## **MONTAGE IHRES ZIELFERNROHRS**

Trotz der technologisch fortschrittlichen Bauweise und Funktionen werden Sie mit Ihrem neuen Zielfernrohr nur dann optimale Ergebnisse erzielen, wenn es richtig montiert wurde. Einer der wichtigsten Faktoren für die Genauigkeit Ihrer Kombination aus Gewehr und Zielfernrohr besteht in der Wahl der richtigen Montagevorrichtung und der Sorgfalt, mit der die Montage durchgeführt wird. Zuverlässige Montagevorrichtungen, mit denen Sie Ihr Zielfernrohr sicher am Gewehr befestigen können, sorgen für Stabilität und Präzision. Bei der Wahl des Montagesystems ist es daher hilfreich, mit der gleichen Sorgfalt vorzugehen, wie bei der Wahl Ihres Zielfernrohrs.

Denken Sie daran, dass nicht alle Zielfernrohre mit allen Montagesystemen auf allen Gewehren kompatibel sind. Wenden Sie sich im Zweifelsfall an Ihren örtlichen Händler oder Büchsenmacher.

 **WARNUNG: EIN ZIELFERNROHR SOLLTE NIEMALS ALS ERSATZ FÜR EIN FERNGLAS ODER SPEKTIV DIENEN, DA DIES ZUR FOLGE HABEN KÖNNTE, DASS SIE IHRE WAFFE VERSEHENTLICH AUF EINE ANDERE PERSON RICHTEN.**

## **VORLÄUFIGE ANPASSUNGEN DES ZIELFERNROHRS - DIOPTRIENEINSTELLUNG**

 **WARNUNG: NICHT IN DIE SONNE SCHAUEN, WÄHREND SIE DIE DIOPTRIEN EINSTELLEN.**

Wir empfehlen, den Dioptrienausgleich vor der Montage des Zielfernrohrs auf Ihr persönliches Sehvermögen abzustimmen. Wenn Sie die Dioptrien neu einstellen, erhalten Sie ein schärferes Absehen und ein besseres optisches Bild, und verhindern, dass Ihre Augen ermüden, wenn Sie das Zielfernrohr über längere Zeit benutzen. Um den Fokus neu einzustellen, halten Sie das Zielfernrohr etwa 8 bis 10 cm von Ihren Augen entfernt und richten es auf eine gleichmäßig beleuchtete Fläche, etwa eine einfarbig gestrichene Wand.

Schauen Sie kurz durch das Zielfernrohr. Wenn das Absehen auf den ersten Blick unscharf erscheint, muss es neu fokussiert werden. Drehen Sie das Okular im oder gegen den Uhrzeigersinn und blicken Sie dabei durch das Zielfernrohr, bis das Absehen schärfer erscheint. Schauen Sie ein paar Sekunden lang in eine andere Richtung und blicken Sie dann erneut durch das Zielfernrohr, um die Schärfe des Absehens zu überprüfen. Denken Sie daran, nur kurz durch das Zielfernrohr zu schauen, da Ihr Auge kleinere Unschärfen bei längerem Hinschauen ausgleicht. Sollte das Absehen nicht sofort scharf erscheinen, nehmen Sie weitere Feinjustierungen vor. Wiederholen Sie diesen Vorgang, bis das Absehen beim Blick durch das Zielfernrohr scharf und deutlich zu erkennen ist.

Sofern sich Ihre Augen im Laufe der Jahre nicht wesentlich verändern, müssen Sie diese Einstellung nicht erneut vornehmen.

## **BEFESTIGUNG VON MONTAGE, RINGEN UND ZIELFERNROHR AN IHREM GEWEHR**

 **WARNUNG: STELLEN SIE VOR BEGINN DES MONTAGEVORGANGS SICHER, DASS DER VERSCHLUSS GEÖFFNET IST, DER CLIP ODER DAS MAGAZIN ENTFERNT WURDE UND DIE LADEKAMMER LEER IST. VERWENDEN SIE IHRE WAFFE NICHT, BEVOR SIE FÜR SICHER BEFUNDEN UND ZUR VERWENDUNG FREIGEgeben WURDE.**

 **WARNUNG: WENN DAS ZIELFERNROHR NICHT WEIT GENUG VORNE MONTIERT IST, KANN ES DURCH DESSEN RÜCKWÄRTSBEWEGUNG BEIM RÜCKSTOSS DES GEWEHRS ZU EINER VERLETZUNG DES SCHÜTZEN KOMMEN.**

Wir empfehlen, bei der Montage Ihres Zielfernrohrs keine Arbeitsschritte abzukürzen, da es hierbei zu Schäden am Montagesystem oder dem Zielfernrohr kommen kann. Für jedes Montagesystem gibt es eine eigene Anleitung, die Sie am besten vorher durchlesen sollten, um sicherzustellen, dass Sie alles verstehen und die notwendigen Werkzeuge zur Hand haben.

Wir empfehlen Ihnen, den Montagevorgang zweimal durchzugehen. Das erste Mal, um sicherzustellen, dass alles zusammenpasst und richtig funktioniert. Beachten Sie beim ersten Durchgang bitte Folgendes:

- › Reinigen Sie die Montagelöcher im Gehäuse und die Gewinde der Befestigungsschrauben mit hochprozentigem Reinigungsalkohol oder einem anderen guten Lösungsmittel, um Öl oder Fett zu entfernen, bevor Sie den Sockel anbringen.

- › Wenn der Hersteller der Montage die Verwendung eines Gewindeklebers empfohlen hat, verwenden Sie diesen nicht beim ersten Probelauf. Wenn der Kleber ausgehärtet ist, lässt sie sich nur schwer wieder auseinanderbauen, wenn etwas korrigiert werden muss, und es können Kleberreste zurückbleiben.
- › Achten Sie darauf, dass die Montageschrauben nicht in das Gehäuse hineinragen.
- › Verwenden Sie das Zielfernrohr nicht als Hebel, wenn Sie es mit Schwalbenschwanz-, Twist-in- oder Twist-and-Lock-Ringmontagen befestigen. Der anfängliche Widerstand beim Drehen kann zu Schäden am Zielfernrohr führen, die nicht von der Garantie abgedeckt sind. Wir empfehlen, einen Holzdübel oder einen Metallzylinder zur Befestigung der Ringe zu verwenden.
- › Vergewissern Sie sich, dass die Funktionsweise des Systems nicht von der Position des Zielfernrohrs beeinträchtigt wird.
- › Vergewissern Sie sich, dass zwischen den Seiten der Ringe und sämtlichen vorstehenden Flächen wie dem Turmgehäuse (Sattel), der Drehscheibe zur Leistungsauswahl und dem Trichter der Objektivglocke mindestens 2 mm Abstand besteht. Achten Sie außerdem darauf, dass zwischen der Objektivglocke und dem Lauf mindestens 3 mm Spielraum vorhanden sind.
- › Überprüfen Sie, ob der Augenabstand des Zielfernrohrs richtig eingestellt ist. Die Ringe des Zielfernrohrs sollten locker genug sein, damit es sich leicht verschieben lässt. Zielfernrohre mit variabler Leistung sollten bei diesem Vorgang auf die stärkste Vergrößerung eingestellt sein. Befestigen Sie das Zielfernrohr auf dem Gewehr und schauen Sie hindurch, während Sie sich in Ihrer normalen Schießposition befinden.
- › Legen Sie mehrmals an und überprüfen Sie dabei den Wangenkontakt, um sicherzustellen, dass Ihr Zielfernrohr richtig positioniert ist.
- › Wenn Sie sich vergewissert haben, dass alles stimmt, markieren Sie die relativen Positionen mit Klebeband oder ähnlichem, bauen alles wieder auseinander und beginnen noch einmal von vorne. Ziehen Sie diesmal alle Schrauben fest an.

## PARALLAXE

Sie haben vielleicht schon bemerkt, dass sich das Fadenkreuz des Absehens zu unterschiedlichen Punkten auf Ihrem Ziel zu bewegen scheint, wenn Sie Ihr Auge anders hinter dem Okular des Zielfernrohrs positionieren. Dieser sogenannte „Parallaxenfehler“ (Ziel und Absehen befinden sich nicht in der gleichen Brennebene) wird noch deutlicher bemerkbar (und damit problematischer), je kürzer die Distanz ist und/oder wenn das Zielfernrohr auf eine höhere Leistungsstufe eingestellt ist. Die in dieser Anleitung behandelten R3-Rimfire-Zielfernrohre sind auf 50 Yards (46 Meter) fokussiert; sie funktionieren jedoch auch auf andere Entfernungen mit minimalem Parallaxenfehler.

## VORLÄUFIGES EINSTELLEN DER VISIERUNG

Sie können sich eine ganze Menge Frustration und Kosten sparen, wenn Sie Ihr Zielfernrohr auf Ihr Gewehr einstellen, bevor Sie es auf dem Schießstand einschießen.

Um ihr Zielfernrohr vorab einzustellen, gibt es zwei grundlegende Methoden. Methode eins ist die Verwendung einer Bushnell®-Einschießhilfe (Laser, magnetisch oder Standard). Die Verwendung einer Einschießhilfe spart Zeit und Munition und ist die von Büchsenmachern am häufigsten verwendete Methode. Die zweite Methode ist das traditionelle Zielen mit dem Zielfernrohr:

### TRADITIONELLE EINSTELLMETHODE

1. Bei einem Kleinkalibergewehr platzieren Sie das Ziel in einer Entfernung von 23 bis 46 Metern. Bei einem Zentralfeuergewehr platzieren Sie das Ziel in einer Entfernung von 46 bis 91 Metern.
2. Entfernen Sie den Bolzen vom Gewehr.
3. Legen Sie das Gewehr auf Sandsäcken oder einer Schießauflage auf.
4. Stellen Sie das Zielfernrohr auf die niedrigste Vergrößerung.
5. Schauen Sie von der Kammer aus durch den Lauf des Gewehrs und positionieren Sie das Gewehr so, dass sich der Mittelpunkt der Zielscheibe in der Mitte des Gewehrlaufs befindet (Abb. A).
6. Schauen Sie durch das Zielfernrohr, ohne das Gewehr dabei zu bewegen, und achten Sie auf die Position des Absehens auf dem Ziel. Entfernen Sie die Kappen von den Höhen- und Seitenverstellungen und stellen Sie sie so ein, dass sich das Absehen in der Mitte der Zielscheibe befindet (Abb. B).

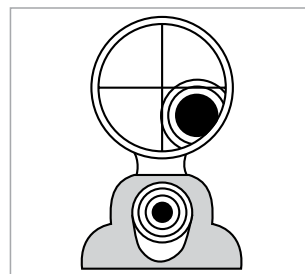


Abb. A  
Fadenkreuz nicht ausgerichtet

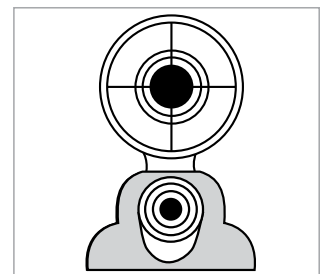


Abb. B  
Fadenkreuz in Ausrichtung

## ABSCHLIEBENDES EINSCHIEßEN



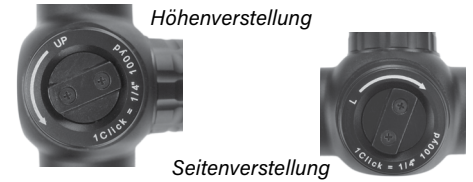
**WARNUNG: DA BEI DIESEM VORGANG MIT SCHARFER MUNITION GESCHOSSEN WIRD, SOLLTE ER AN EINEM ZUGELASSENEN SCHIESSPLATZ ODER EINEM ANDEREN SICHEREN ORT DURCHFÜHRT WERDEN. WAFFENLAUF AUF VERSTOPFUNGEN PRÜFEN. EIN VERSTOPFTER LAUF KANN ZU VERLETZUNGEN BEI IHNEN ODER PERSONEN IN DER NÄHE FÜHREN. ES WERDEN AUGEN- UND GEHÖRSCHUTZ EMPFOHLEN.**

- › Geben Sie aus einer stabilen Ruheposition zwei oder drei Schüsse auf ein Ziel in 25-50 Yards (23 - 46 Meter) Entfernung ab. Achten Sie auf den Treffpunkt auf dem Ziel und passen Sie die Seiten- und Höhendrehscheiben nach Bedarf an.
- › Um den Treffpunkt des Geschosses zu verschieben, drehen Sie die Höhen- und Seitenverstellungen in Richtung des Treffpunkts auf dem Ziel (sind die Schüsse zu tief, drehen Sie die Höhenverstellung nach „unten“). Die Einstellungen an Ihrem Zielfernrohrmodell sind in MOA (Bogenminuten) markiert und der Treffpunkt auf 100 Yards (91 Meter) ändert sich bei jedem Klick der Höhen- oder Seitenverstellung um 1/4 MOA oder etwa 0,6 cm – eine volle Umdrehung der Verstellung=15 MOA.
- › Wenn die Treffpunkte auf die anfängliche Zielentfernung zufriedenstellend sind, wechseln Sie für das abschließende Einschießen zu einer Zielscheibe in der gewünschten Entfernung (empfohlen werden 50 Yards/46 Meter). Modelle mit variabler Leistung stellen Sie auf die gewünschte Vergrößerung ein.

## ZURÜCKSETZEN DER REVOLVERDREHKNÖPFE

Dieser Schritt ist nicht erforderlich, aber zur späteren Verwendung sollten Sie die Nullmarkierungen an den Revolverdrehknöpfen an den Zeugenmarkierungen an den Revolverbasen neu ausrichten.

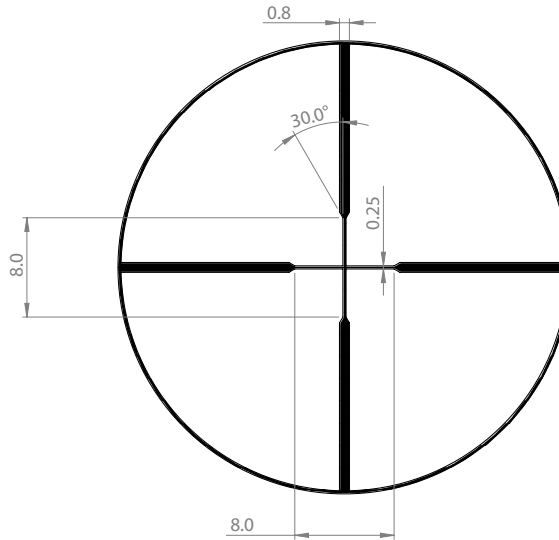
1. Lösen Sie mit einem Juwelierschraubendreher die beiden Kreuzschlitzschrauben am Revolverdrehknopf für etwa 1,5 bis 2 Umdrehungen. Achten Sie darauf, dass Sie beim Lösen der Schrauben nicht versehentlich durch ein- oder zweimaliges Einrasten (es ist ein Klicken zu hören) Ihre Nulljustierung „verlieren“.
2. Fassen Sie den Außenumfang des Revolverdrehknopfs mit der Hand an und versuchen Sie vorsichtig, ihn zu drehen (sollte sich frei drehen). Wenn er sich nicht frei dreht, wippen oder kippen Sie ihn mit einer hebelnden Bewegung (von Hand; verwenden Sie keine Werkzeuge), um den Reibschluss zu lösen. Sobald er gelöst ist, drehen Sie den Revolverdrehknopf, bis die Markierung „0“ des Knopfs mit der Markierung auf der Revolverbasis übereinstimmt.
3. Ziehen Sie die beiden Schrauben am Revolverdrehknopf wieder an und setzen Sie die Revolverkappe wieder ein.



## MULTI-X-ABSEHEN

Kalibriert auf 9X-Vergrößerungseinstellung

Abmessungen in MOA



## AUFBEWAHRUNG

Vermeiden Sie es, das Zielfernrohr an heißen Orten wie dem Innenraum eines Fahrzeugs an einem heißen Tag aufzubewahren. Hohe Temperaturen können die Schmier- und Dichtungsmittel beeinträchtigen. Verwenden Sie nach Möglichkeit den Kofferraum eines Fahrzeugs oder einen Waffen- oder Wandschrank. Lassen Sie das Zielfernrohr niemals an einem Ort, an dem direktes Sonnenlicht in das Objektiv oder die Okularlinse eindringen kann. Die Konzentration der Sonnenstrahlen kann zu Schäden führen (Brennglaseffekt).

## PFLEGE IHRES ZIELFERNROHRS

Der Wartungsaufwand für Ihr Zielfernrohr ist sehr gering. Die äußeren Metalloberflächen sollten sauber gehalten werden. Meistens genügt es, sie mit einem leicht angefeuchteten weichen Tuch etwas abzustauben.

Die Höhen- und Seitenverstelltürme Ihres neuen Zielfernrohrs sind vollständig gegen das Eindringen von Wasser abgedichtet. Wir empfehlen jedoch, die Höhen- und Seitenverstellkappen auf den Türmen zu lassen, wenn Sie nichts verstellen müssen, um zu verhindern, dass sich Staub und Schmutz im Turmbereich ansammeln.

Außerdem empfehlen wir die Verwendung einer Objektivabdeckung oder Schutzhülle, wenn das Zielfernrohr nicht benutzt wird. Die Linsen sollten regelmäßig überprüft und stets sauber gehalten werden. Staub, Schmutz und Fingerabdrücke, die sich auf den Linsenoberflächen ansammeln, können die Bildqualität erheblich beeinträchtigen und zu Schäden an der Antireflexbeschichtung führen, wenn die Linsen längere Zeit nicht gereinigt werden. Auch wenn das Reinigen der Linsen nicht schwierig ist, sind Sorgfalt und Geduld erforderlich.

- › Bei starker Verschmutzung, etwa durch getrockneten Schlamm, sollte sauberes Wasser mit geringem Druck verwendet werden, um die Verunreinigungen wegzuspülen.
- › Beginnen Sie mit einem Objektivpinsel, einem kleinen, unbenutzten und weichen Hobbypinsel oder einem Make-up-Pinsel. Wischen Sie
- › lose Schmutzpartikel vorsichtig weg.
- › Benutzen Sie dann eine Ohrenspritze oder einen Pumpball (in den meisten Drogerien erhältlich), um verbleibenden Schmutz oder Staub von den Linsenoberflächen wegzublasen.
- › Falls eine weitere Reinigung erforderlich ist, verwenden Sie ein trockenes, weiches, fusselfreies Tuch. Wischen Sie die Linse sanft ab. Beginnen Sie mit kreisenden Bewegungen in der Mitte und arbeiten Sie sich zum Rand hin vor.
- › Wenn das Problem so nicht behoben werden konnte, befeuchten Sie die Linse mit Ihrem Atem und wiederholen den Vorgang.

**! WARNUNG: UNNÖTIGES REIBEN ODER DIE VERWENDUNG EINES GROBEN TUCHES KÖNNEN ZU DAUERHAFTEN SCHÄDEN AN DEN LINSENBSCHICHTUNGEN FÜHREN.**

## WARTUNG

Auch wenn Ihr Zielfernrohr extrem strapazierfähig ist, handelt es sich hierbei um ein Präzisionsinstrument, das mit angemessener Sorgfalt gepflegt werden muss.

- › Staub und Verschmutzungen sollten beim Reinigen der Linsen zunächst durch Pusten oder mit einem weichen Objektivpinsel entfernt werden. Fingerabdrücke und Flecken können mit einem Linsentuch oder einem sauberen, mit Objektivreiniger angefeuchteten Lappen entfernt werden.
- › Alle beweglichen Teile des Zielfernrohrs sind dauergeschmiert. Versuchen Sie nicht, sie zu schmieren. Die äußere Oberfläche des Zielfernrohrs benötigt nur wenig bis gar keine Pflege. Manchmal werden Schrauben aus schwarzem Oxid zur Abdichtung von Entlüftungsöffnungen und für die Verbindung zwischen der Drehscheibe zur Leistungsänderung und dem Umkehrsystem verwendet. Wenn das Zielfernrohr Wasser ausgesetzt ist, können Sie bei der routinemäßigen Wartung der Waffe einen dünnen Film eines typischen Waffenöls auf die Schrauben auftragen, um die Korrosion zu verringern.
- › Verwenden Sie nach Möglichkeit Objektivabdeckungen, falls verfügbar.

## HÖHE UND TEMPERATUR

Die von Munitionsherstellern veröffentlichten ballistischen Tabellen basieren auf Standardbedingungen auf Meereshöhe. Beachten Sie beim Einschießen, dass die Flugbahn von Höhe und Temperatur beeinflusst wird. Am besten ist es, wenn das Einschießen unter denselben Bedingungen wie die anschließende Jagd vorgenommen wird.

## TECHNISCHE SPEZIFIKATIONEN

SKU	Vergr. X Objektivdm.	Absehen	Verstelltürme	Max. Höhenstellweg	Max. Seitenstellweg	Verstellung pro Umdrehung	Durchmesser des Hauptrohrs (Zoll)	Fokuseinstellung Einstellbar von 10 Yards bis unendlich	Durchschnittlicher Augenabstand (Zoll/mm)	Sichtfeld in Fuß auf 100 Yards / in Metern auf 100 Meter	Länge (Zoll/mm)	Gewicht (oz/g)
R3-3940S3	3-9x40	Multi-X	Capped	65 MOA	65 MOA	15 MOA	1	100	3.7/94	39ft@3X - 13ft@9X 10.97m@3X - 4.3m@9X	12.3/313	14.6/415
R3-3950S3	3-9x50	Multi-X	Capped	65 MOA	65 MOA	15 MOA	1	100	3.7/94	34ft@3X - 11ft@9X 11.3m@3X - 3.7m@9X	13.5/344	16.9/480

Die Garantie gilt nicht für den Fall, dass das Produkt nicht beeinträchtigt wird oder dass es sich um einen kosmetischen Eingriff handelt, der die Rückgabe des Produkts nicht beeinträchtigt.

Nur gültig in den Vereinigten Staaten und Kanada.

\*Modello 3-9x40 mostrato di seguito



## Accesorios incluidos:

- > Cubiertas para los lentes
- > Tela limpiadora

## ¡TOMÓ LA DECISIÓN CORRECTA AL ELEGIR LA MIRA PARA RIFLE BUSHNELL R3!

Bushnell® está constantemente al frente de la calidad y el valor, y la mira para rifle Serie R3 no es la excepción. La mira para rifle Bushnell R3 está construida con tecnología de la máxima calidad. Los lentes con múltiples recubrimientos y la construcción IPX7 con purga de nitrógeno ofrecen imágenes claras y brillantes en cualquier entorno.

Todas las superficies exteriores de los lentes tienen nuestro recubrimiento EXD Barrier™ [además de múltiples recubrimientos]. Dicho de manera sencilla, la EXD Barrier es la mejor tecnología de recubrimiento protector de lentes desarrollada por Bushnell. La EXD Barrier se agrega al final del proceso de recubrimiento. Se une molecularmente al lente y rellena los poros microscópicos que hay en el vidrio. El resultado es un recubrimiento ultradelgado que repele agua, aceite, neblina, polvo, residuos, lluvia, nieve, huellas digitales y la tierra no quedará adherida. La EXD Barrier está hecha para durar: el recubrimiento adherido no se desvanecerá con el tiempo ni con el uso y desgaste normal.

Escanee el código para descargar la aplicación gratuita Bushnell Ballistics. La aplicación Bushnell Ballistics es un calculadora de balística multifuncional que calcula soluciones de disparo con sus localizadores y miras para rifles. Le permite usar las condiciones atmosféricas actuales para calcular el tiempo de espera y muestra las distancias en cada subtensión de la retícula y muchas funciones más para mejorar su experiencia de tiro.





 **AVVERTENZA: NON GUARDARE MAIL IL SOLE ATTRAVERSO IL CANNOCCHIALE DA PUNTAMENTO (O QUALSIASI ALTRO STRUMENTO OTTICO). CIÒ PUÒ PROVOCARE DANNI PERMANENTI AGLI OCCHI.**

### **ELEMENTI CHIAVE DI UN CANNOCCHIALE DA PUNTAMENTO**

1. Obiettivo: l'obiettivo ha tre funzioni. In primo luogo, consente alla luce di passare attraverso il cannocchiale. In secondo luogo, determina la risoluzione. In generale, gli obiettivi più grandi consentono a una quantità maggiore di luce di entrare nel cannocchiale e, rispetto a quelli più piccoli, permettono di vedere un numero maggiore di dettagli. Infine, forma un'immagine che le altre lenti possono ingrandire fino a una dimensione utilizzabile. Questa immagine è capovolta.
2. Sistema erettore: l'erettore svolge diverse funzioni. La sua funzione principale è quella di erigere l'immagine (raddrizzandola) e allinearla al reticolo. Durante questo processo avviene l'ingrandimento primario dell'immagine. Queste due funzioni sono il risultato dell'azione della lente.
3. Controlli di alzo e deriva: le lenti del sistema erettore sono alloggiare in un tubo che ha un'estremità fissa e un'altra estremità libera di muoversi e rispondere alle regolazioni. Muovendo il sistema erettore, il punto di mira del cannocchiale viene regolato in modo da corrispondere al punto di impatto del proiettile.
4. Reticolo: in termini semplici, si tratta del dispositivo di puntamento attorno al quale è costruito il cannocchiale. Questo elemento sostituisce il sistema di puntamento in ferro delle carabine senza mirino.
5. Lente oculare o semplicemente oculare: questo elemento fornisce l'ingrandimento secondario e finale dell'immagine.

### **MONTAGGIO DEL CANNOCCHIALE DA PUNTAMENTO**

Nonostante il design e le funzioni tecnologicamente avanzati, per garantire prestazioni ottimali il nuovo cannocchiale

deve essere montato correttamente. Due dei fattori più importanti che contribuiscono alla precisione del cannocchiale e della carabina sono la scelta dell'attacco e la cura nel montaggio. Scegliere un attacco affidabile in grado di fissare saldamente il cannocchiale alla carabina garantirà affidabilità e precisione. Nella scelta del sistema di attacco, è opportuno prestare la stessa cura che si è prestata nella selezione del cannocchiale.

Tenere presente che non tutti i cannocchiali sono compatibili con tutti gli attacchi su tutte le carabine. In caso di dubbi, richiedere l'assistenza del rivenditore o dell'armaiolo locale.

 **AVVERTENZA: NON UTILIZZARE MAI UN CANNOCCHIALE DA PUNTAMENTO COME SOSTITUTO DI UN BINOCOLO O MONOCULARE, POICHÉ LA CARABINA POTREBBE VENIRE INAVVERTITAMENTE PUNTATA VERSO UN'ALTRA PERSONA.**

### **REGOLAZIONI PRELIMINARI DEL CANNOCCHIALE - REGOLAZIONE DIOTTRICA**


Prima di montare il cannocchiale, si consiglia di regolare la messa a fuoco dell'oculare in base ai propri requisiti visivi. La rifocalizzazione diottrica permette di ottenere una messa a fuoco del reticolo più nitida e un'immagine ottica migliore ed evita che gli occhi si affaticino quando si utilizza il cannocchiale per lunghi periodi di tempo. Per rifocalizzare, tenere il cannocchiale a 7,5-10 cm di distanza dall'occhio e puntarlo verso un'area completamente illuminata, ad esempio una parete verniciata di un solo colore chiaro.

Dare un'occhiata rapida nel cannocchiale. Se a prima vista il reticolo appare sfocato, significa che non è a fuoco. Ruotare l'oculare in senso orario o antiorario mentre si guarda nel cannocchiale fino a quando la nitidezza del reticolo non migliora. Distogliere lo sguardo dall'oculare per un paio di secondi, quindi dare di nuovo un'occhiata rapida nel cannocchiale per verificare la nitidezza del reticolo. È importante che le occhiate siano rapide per evitare che l'occhio compensi le condizioni di leggera sfocatura. Se il reticolo non appare subito a fuoco, continuare a compiere piccoli aggiustamenti. Ripetere la procedura fino a quando il reticolo non risulta nitido e ben definito non appena si guarda nel cannocchiale.

A meno che la propria vista non subisca grandi variazioni negli anni, questa regolazione non si rende più necessaria.

 **AVVERTENZA: NON GUARDARE VERSO IL SOLE DURANTE LA REGOLAZIONE DIOTTRICA!**

### **FISSAGGIO DI ATTACCO, ANELLI E CANNOCCHIALE ALLA CARABINA**

 **AVVERTENZA: PRIMA DI PROCEDERE AL MONTAGGIO, ASSICURARSI CHE L'AZIONE SIA APERTA, IL FERMO O IL CARICATORE SIA STATO RIMOSSO E NON SIA RIMASTO UN COLPO NELLA CAMERA. NON TENTARE DI ESEGUIRE ALCUNA AZIONE FINCHÉ L'ARMA DA FUOCO NON È SCARICA E NON È RITENUTA SICURA.**

 **AVVERTENZA: QUALORA IL CANNOCCHIALE NON VENGA MONTATO A UNA DISTANZA SUFFICIENTE, IL MOVIMENTO DI SPINTA ALL'INDIETRO PUÒ PROVOCARE LESIONI AL TIRATORE A CAUSA DEL CONTRACCOLPO DELLA CARABINA.**

Durante il montaggio del cannocchiale si consiglia di NON saltare passaggi, per evitare di danneggiare il sistema di montaggio o il cannocchiale. Per ogni sistema di montaggio sono disponibili delle istruzioni. Si consiglia di leggerle attentamente prima per assicurarsi di comprenderle e di avere gli strumenti necessari a portata di mano.

Si raccomanda altresì di ripetere la procedura di montaggio. La prima volta assicurarsi che tutti gli elementi siano montati e funzionino correttamente e tenere a mente quanto riportato di seguito:

- › Prima di fissare la base, pulire i fori di montaggio nel ricevitore e i filetti delle viti di montaggio con acetone o un altro solvente valido per rimuovere olio o grasso.
- › Se il produttore dell'attacco consiglia l'utilizzo di un adesivo per filetti, non usarlo nella prima prova di montaggio. Una volta che l'adesivo si è asciugato, è difficile rimuoverlo qualora fosse necessario apportare una correzione e lascerà residui.
- › Assicurarsi che le viti di montaggio non sporgano nel ricevitore.
- › Se si utilizzano attacchi a coda di rondine, Twist-in o Twist Lock, non usare il cannocchiale come leva durante l'installazione. La resistenza iniziale alla rotazione può danneggiare il cannocchiale ed eventuali danni risultanti non sono coperti dalla garanzia. Si consiglia di utilizzare un tassello in legno o un cilindro in metallo per bloccare gli anelli.
- › Assicurarsi che la posizione del cannocchiale non interferisca con il funzionamento dell'azione.
- › Assicurarsi che vi sia una distanza di almeno 2 mm tra i bordi degli anelli ed eventuali superfici sporgenti, ad esempio la sede della torretta (sella), l'anello di regolazione dell'ingrandimento e la svasatura della campana dell'obiettivo. Accertarsi inoltre che la campana dell'obiettivo e la canna distino almeno 3 mm l'una dall'altra.
- › Provare la posizione del cannocchiale per verificare che l'estrazione pupillare sia corretta. Lasciare gli anelli sufficientemente allentati affinché il cannocchiale scorra facilmente. Durante questa procedura, impostare il valore di ingrandimento più alto nei cannocchiali a ingrandimento variabile. Montare la carabina e guardare attraverso il cannocchiale nella normale posizione di tiro.
- › Provare la posizione della carabina più volte per assicurarsi che la guancia poggi bene e che il cannocchiale sia posizionato correttamente.
- › Una volta che si è soddisfatti, segnare le posizioni relative con nastro adesivo o simili, smontare il cannocchiale e ripetere la procedura. Questa volta, stringere saldamente tutte le viti.

## PARALLASSE

Si sarà notato che posizionando l'occhio in posizioni diverse dietro l'oculare del cannocchiale, il reticolo del mirino sembra spostarsi in punti diversi sul bersaglio. Questo scostamento è chiamato "errore di parallasse" (il bersaglio e il reticolo non sono sullo stesso piano focale) e diventa più evidente (e più problematico) a distanze più brevi e quando il cannocchiale è impostato su valori di ingrandimento maggiori. La messa a fuoco dei cannocchiali da puntamento R3 Rimfire contemplati in questo manuale è impostata su 50 iarde (45,7 metri); tuttavia, garantiranno prestazioni ottimali anche su altre distanze, con un errore di parallasse minimo.

## PUNTAMENTO PRELIMINARE

Eseguire il puntamento preliminare del cannocchiale con la carabina prima di portarlo al poligono per l'azzeramento per evitare di sprecare denaro e forze.

Esistono due metodi di base che è possibile utilizzare per il puntamento preliminare del cannocchiale. Il primo comporta l'utilizzo di un collimatore Bushnell® (laser, magnetico o standard). Consente di risparmiare tempo e munizioni ed è il sistema utilizzato più di frequente dagli armaioli. Il secondo metodo è il puntamento del calibro tradizionale:

### METODO DI PUNTAMENTO DEL CALIBRO

1. Se si utilizza un fucile a percussione anulare, posizionare un bersaglio a 25-50 iarde. Se è un fucile a percussione centrale, posiziona il bersaglio a una distanza compresa tra 50 e 100 iarde.
2. Rimuovere la sicura dalla carabina.
3. Posizionare la carabina su sacchi di sabbia o su un'apposita base di appoggio.
4. Impostare il cannocchiale sul valore di ingrandimento minimo.
5. Guardare attraverso il calibro del ricevitore e regolare la posizione della carabina in modo da centrare il bersaglio nel calibro (Fig. A).
6. Senza spostare la carabina, guardare nel cannocchiale e osservare la posizione del reticolo sul bersaglio. Rimuovere i cappucci della regolazione di alzo e deriva e regolare alzo e deriva per centrare il reticolo con il centro del bersaglio (Fig. B).

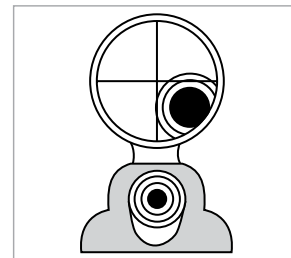


Fig. A  
Reticolo non allineato

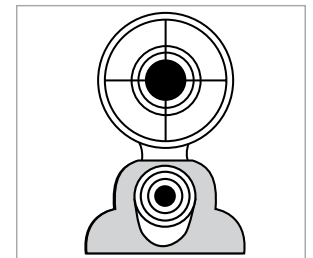


Fig. B  
Reticolo allineato

## PUNTAMENTO FINALE



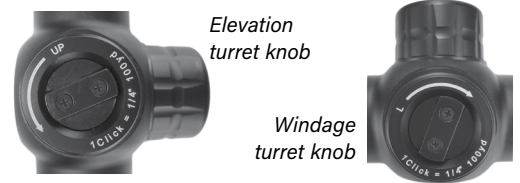
**AVVERTENZA: POICHÉ LA PROCEDURA PREVEDE ESERCITAZIONI A FUOCO, DEVE ESSERE ESEGUITA IN UN POLIGONO AUTORIZZATO O IN UN'ALTRA ZONA SICURA. CONTROLLARE CHE IL CALIBRO NON SIA OSTRUITO. UN CALIBRO OSTRUITO PUÒ PROVOCARE LESIONI ALL'UTILIZZATORE E AD ALTRI NELLE VICINANZE. SI RACCOMANDA DI UTILIZZARE PROTEZIONI VISIVE E ACUSTICHE.**

- › Da una posizione di tiro stabile, sparare due o tre colpi a un bersaglio a 25-50 iarde (23-46 metri) di distanza. Osservare l'impatto del proiettile sul bersaglio e regolare le manopole di alzo e deriva di conseguenza.
- › Per spostare l'impatto del proiettile, ruotare le manopole di alzo e deriva nella direzione corrispondente al punto di impatto sul bersaglio. Ad esempio, se i tiri di prova sono bassi, regolare l'alzo verso il basso. Le regolazioni sul cannocchiale da puntamento sono contrassegnate in MOA (minuti di arco) e il punto di impatto a 100 iarde cambia di 1/4 di MOA o di circa 1/4 di pollice per ogni scatto della manopola di alzo o deriva. Un giro completo della manopola corrisponde a 15 MOA.
- › Quando l'impatto sul bersaglio alla distanza iniziale è soddisfacente, passare a un bersaglio posto alla distanza desiderata per l'azzeramento finale (si consiglia 50 iarde). Impostare l'ingrandimento sul valore desiderato sui modelli a ingrandimento variabile.

## REIMPOSTAZIONE DELLE MANOPOLE DELLA TORRETTA

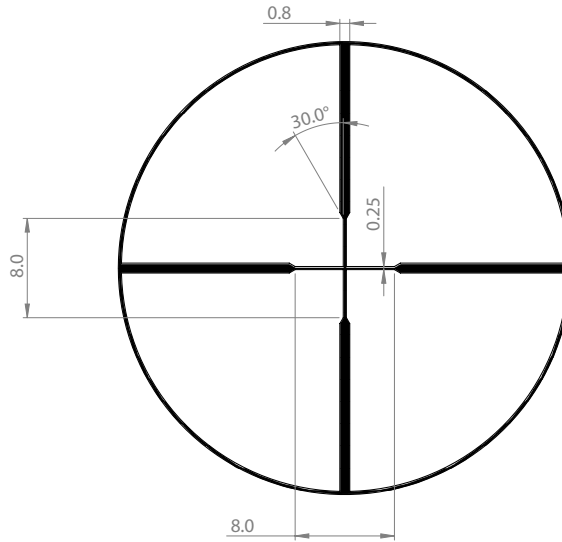
Questo passaggio non è necessario, ma, per riferimento futuro, si consiglia di riallineare i segni zero sulle manopole della torretta con i segni di riferimento posti sulle basi della stessa.

1. Usando un cacciavite da gioielliere, allentare le due viti Phillips sulla manopola della torretta per circa 1,5-2 giri. Fare attenzione a non spostare lo zero "perdendo" uno o due scatti quando si allentano le viti.
2. Afferrare con la mano il perimetro esterno della manopola della torretta e provare a ruotarla delicatamente (dovrebbe girare a vuoto). Se non gira a vuoto, inclinarla o farla oscillare facendo leva (a mano, senza alcun attrezzo) per ridurre l'attrito. Una volta sbloccata, ruotare la manopola della torretta finché il segno "0" della stessa non si allinea con il segno di riferimento sulla base della stessa.
3. Riavvitare le due viti della manopola della torretta e riposizionare il coperchio.



## RETICOLO MULTI-X

Calibrato con valore di ingrandimento 9X  
Dimensioni in MOA



## CONSERVAZIONE

Evitare di riporre il mirino in luoghi caldi, come l'abitacolo di un veicolo nelle giornate calde. Le temperature elevate potrebbero danneggiare i lubrificanti e gli isolanti. È preferibile riporre il dispositivo nel bagagliaio del veicolo, in una fuciliera o in un armadietto. Non posizionare mai il cannocchiale in modo che la luce solare possa penetrare direttamente nell'obiettivo o nell'oculare. La concentrazione dei raggi solari potrebbe causare danni (effetto specchio ustorio).

## MANUTENZIONE DEL CANNOCCHIALE DA PUNTAMENTO

Il cannocchiale richiede una manutenzione minima. Tenere pulite le superfici in metallo esterne. Nella maggior parte dei casi è sufficiente una spolverata con un panno morbido leggermente inumidito.

Il nuovo cannocchiale è dotato di torrette di alzo e deriva completamente sigillate a protezione dalle infiltrazioni di acqua. Tuttavia, si consiglia di lasciare i cappucci di alzo e deriva sulle torrette, a eccezione di quando si effettua una regolazione, per impedire l'accumulo di polvere e sporcizia nell'area della torretta.

Si consiglia inoltre di proteggere il cannocchiale, quando non viene utilizzato, tramite un coprilente o una custodia. Le lenti devono essere ispezionate regolarmente e tenute sempre pulite. La polvere, lo sporco e le impronte digitali che si accumulano sulle superfici delle lenti riducono drasticamente la qualità dell'immagine e, se non si puliscono per lunghi periodi, il rivestimento antiriflesso potrebbe danneggiarsi. La pulizia delle lenti è semplice, ma richiede cura e pazienza.

- › In caso di sporco ostinato, come fango secco, è necessario utilizzare acqua pulita a bassa pressione per lavare via i detriti.
- › Iniziare con un pennello per lenti o un piccolo pennello da pittura o da trucco con setole morbide pulite. Rimuovere delicatamente le particelle di sporco.
- › Quindi, utilizzare un soffiato o una siringa auricolare (reperibile nella maggior parte delle farmacie) per soffiare via lo sporco o la polvere rimanenti dalla superficie delle lenti.
- › Per una pulizia più approfondita, utilizzare un panno morbido asciutto e privo di lanugine. Pulire delicatamente la lente, partendo dal centro con un movimento circolare e procedendo verso l'esterno fino ai bordi.
- › Se il problema persiste, ripetere la procedura usando il fiato.



**AVVERTENZA: GLI SFREGAMENTI NON NECESSARI O L'USO DI PANNI RUVIDI POTREBBERO DANNEGGIARE PERMANENTEMENTE I RIVESTIMENTI DELLE LENTI.**

## MANUTENZIONE

Il cannocchiale, sebbene incredibilmente robusto, è uno strumento di precisione che merita una cura ragionevolmente prudente.

- › Quando si puliscono le lenti, soffiare via prima lo sporco secco o la polvere oppure utilizzare un pennello morbido per lenti. Impronte digitali e lubrificanti possono essere rimossi con un panno per lenti o un panno morbido e pulito, inumidito con un liquido detergente per lenti.
- › Tutte le parti mobili del cannocchiale sono lubrificate in modo permanente. Non lubrificarle ulteriormente.
- › La superficie esterna del cannocchiale richiede una manutenzione minima. Talvolta vengono utilizzate viti brunate per sigillare le porte di spurgo e/o per collegare la ghiera di regolazione dell'ingrandimento all'erettore.
- › Se il cannocchiale è esposto all'acqua, considerare l'applicazione di un sottile strato di normale olio per armi da fuoco sulle viti durante la manutenzione ordinaria dell'arma da fuoco per limitare la corrosione.
- › Utilizzare il copriobiettivo se disponibile e secondo convenienza.

## ALTITUDINE E TEMPERATURA

Le tabelle balistiche pubblicate dai produttori di munizioni si riferiscono a condizioni atmosferiche ad altitudini standard. Durante il puntamento si consiglia di tenere a mente che l'altitudine e la temperatura influenzano la traiettoria. È meglio eseguire il puntamento nelle stesse condizioni in cui si andrà a caccia.

## SPECIFICHE TECNICHE

SKU	Ingr. x diam. obietto.	Reticolo	Torrette	Alzo totale	Deriva totale	Corsa per giro completo	Diametro tubo principale	Impostazione della messa a fuoco Regolabile da 10 iarde a infinito	Estrazione pupillare media (pollici/mm)	Campo visivo, piedi a 100 iard, metri a 100 metri	Lunghezza in (mm)	Peso (oz/g)
R3-3940S3	3-9x40	Multi-X	Capped	65 MOA	65 MOA	15 MOA	1	100	3.7/94	39ft@3X - 13ft@9X 10.97m@3X - 4.3m@9X	12.3/313	14.6/415
R3-3950S3	3-9x50	Multi-X	Capped	65 MOA	65 MOA	15 MOA	1	100	3.7/94	34ft@3X - 11ft@9X 11.3m@3X - 3.7m@9X	13.5/344	16.9/480

La garanzia non copre furto, perdita, danni  
intenzionali o danni estetici che non influiscono  
sulle prestazioni del prodotto.

Valido solo negli Stati Uniti e in Canada